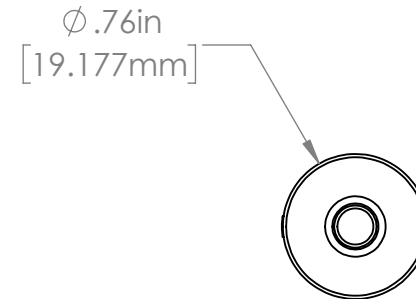
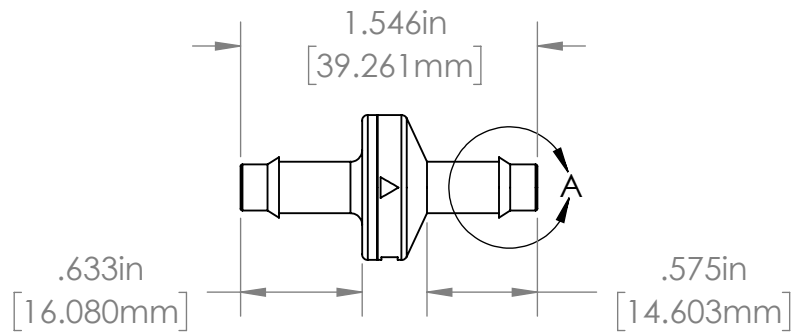
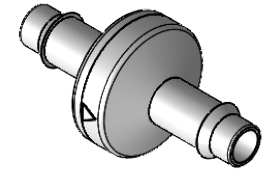
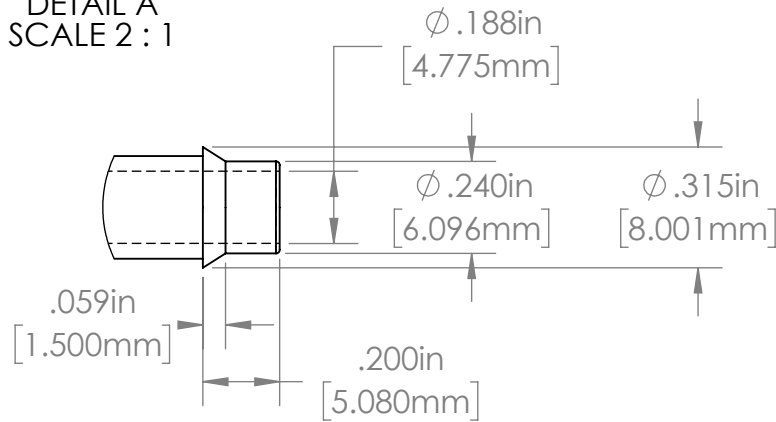


DETAIL A
SCALE 2 : 1



FOR REFERENCE ONLY

<p>PROPRIETARY AND CONFIDENTIAL</p>	<p>Description</p>	<p>NAME</p>	<p>DATE</p>	<p>PART#</p>	<p>REV</p>
<p>The information contained in this drawing is for reference only and remains the sole property of Industrial Specialties Mfg, Inc and IS Med Specialties (collectively "ISM"). Any reproduction in part or as a whole without the written permission of ISM is prohibited.</p>	<p>1/4" Hose Barb High Flow Diaphragm Check Valve, Viton Diaphragm, Natural Polypropylene</p>	<p>DRAWN BY: M.E.</p>	<p>9.12.2025</p>	<p>AP1178</p>	<p>1</p>
		<p>SHEET 1 OF 1</p>		<p>ISM Industrial Specialties Mfg. & IS Med Specialties</p> <p>industrialspec.com 720-729-2202</p>	
		<p>SCALE: 1:1</p>			
		<p>DO NOT SCALE DRAWING All Dimensions are in Inches</p>			