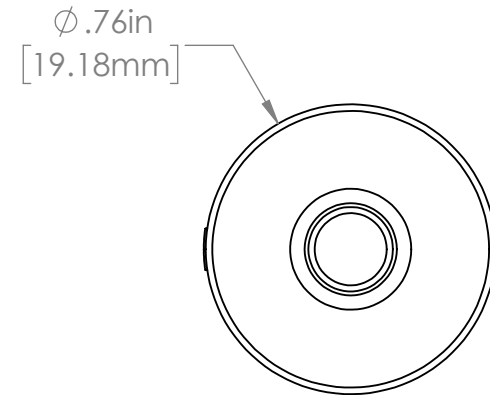
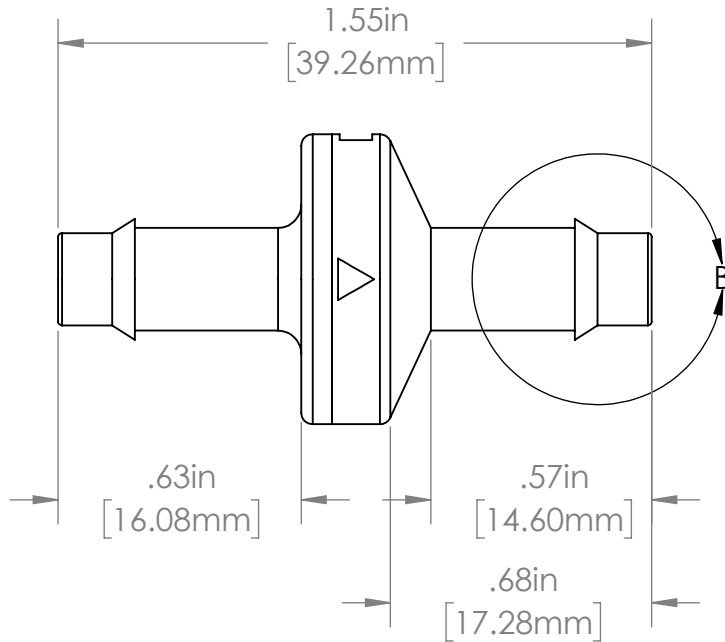
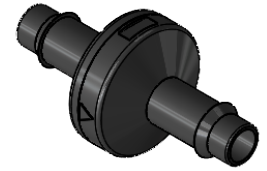
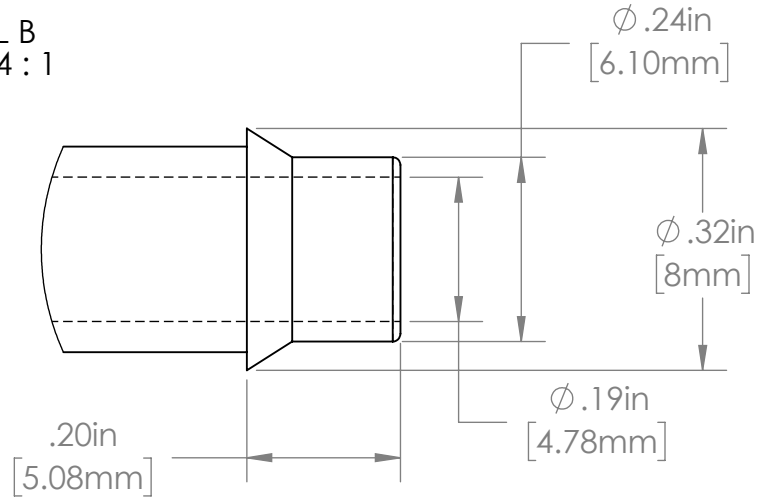


DETAIL B
SCALE 4 : 1



FOR REFERENCE ONLY

PROPRIETARY AND CONFIDENTIAL

Description

The information contained in this drawing is for reference only and remains the sole property of Industrial Specialties Mfg, Inc and IS Med Specialties (collectively "ISM"). Any reproduction in part or as a whole without the written permission of ISM is prohibited.

1/4" Hose Barb High Flow Diaphragm Check Valve, High Retention Barb Style, Viton Diaphragm, Automotive Grade Black Nylon

NAME DATE
DRAWN BY: M.E. 9.15.2025

PART#

AP1174

REV
1

SHEET 1 OF 1

SCALE: 2:1

DO NOT SCALE DRAWING
All Dimensions are in Inches

ISM Industrial Specialties Mfg.
& IS Med Specialties

industrialspec.com | 720-729-2202