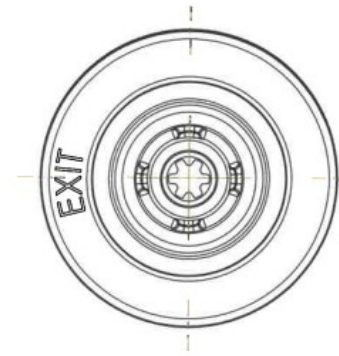
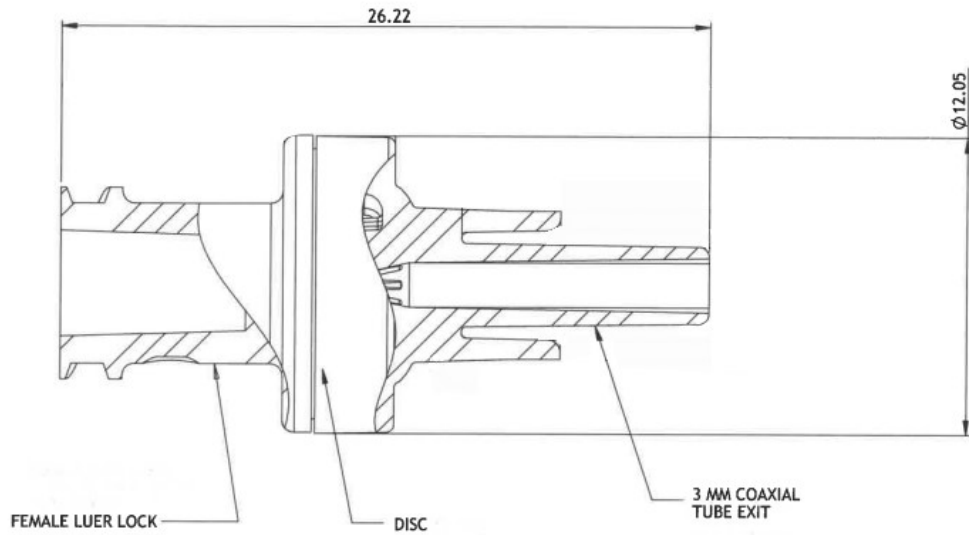


# TW Medical



ISOMETRIC VIEW  
SCALE 2:1

THIRD ANGLE PROJECTION

PROPRIETARY & CONFIDENTIAL NOTICE  
THIS DRAWING CONTAINS INFORMATION THAT IS  
CONFIDENTIAL & PROPRIETARY TO FILTERTEK AND  
SHOULD NOT BE USED WITHOUT WRITTEN PERMISSION.

DRAWN BY:

DATE:

TITLE:

ENGINEERING APPROVAL:

DATE:

CHECK VALVE,  
ANTI OCCLUDE,  
LOW OPENING PRESSURE,  
FEMALE LUER LOCK  
ENTRY TO 3 MM  
COAXIAL TUBE EXIT.

QUALITY APPROVAL:

DATE:

TOLERANCES  
(UNLESS SPECIFIED):  
ANGULAR ±0.50°  
X.XXX ±0.050  
X.XX ±0.100  
X.X ±0.2  
X ±0.4

DIMENSIONS:  
MILLIMETERS  
SCALE:  
5:1



An ITW Medical Company

DO NOT SCALE DRAWING  
REVISE ONLY ON CAD

CUSTOMER PART NO.:  
N/A

DRAWING NO.:  
8300391

SHEET:  
1 OF 1 A3

MEDIA: N/A.

RESIN: MABS

MASTERBATCH: ENTRY - NONE, EXIT -

: BLUE