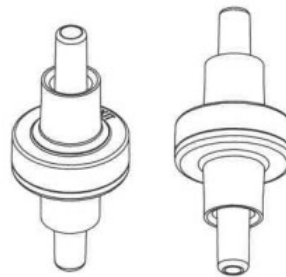
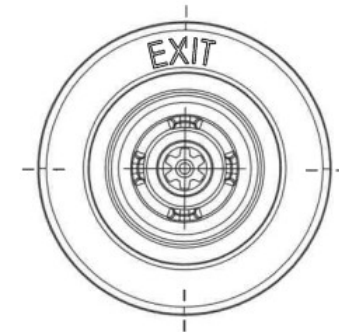
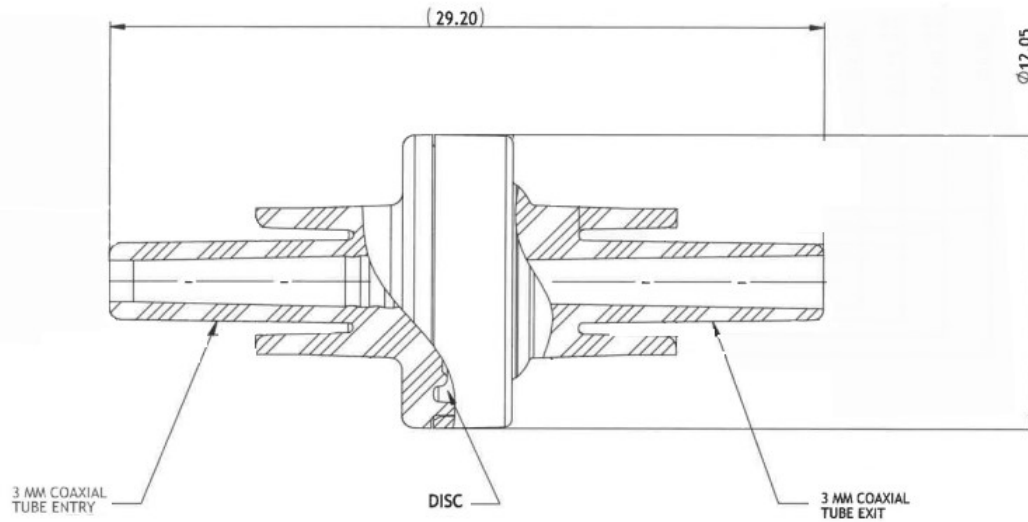


TW Medical



ISOMETRIC VIEWS
SCALE 2:1

MEDIA: N/A.
RESIN: MABS
MASTERBATCH: ENTRY - NONE, EXIT - BLUE

THIRD ANGLE PROJECTION		PROPRIETARY & CONFIDENTIAL NOTICE	
		THIS DRAWING CONTAINS INFORMATION THAT IS PROPRIETARY & CONFIDENTIAL TO FILTERTEK AND SHOULD NOT BE USED WITHOUT WRITTEN PERMISSION.	
		DRAWN BY:	DATE:
		ENGINEERING APPROVAL:	DATE:
QUALITY APPROVAL:	DATE:	TITLE: CHECK VALVE, ANTI OCCLUDE, LOW OPENING PRESSURE, 3 MM COAXIAL TUBE ENTRY TO 3 MM COAXIAL TUBE EXIT.	
TOLERANCES (UNLESS SPECIFIED): ANGULAR: $\pm 0.30^\circ$ F.XXX: ± 0.050 X.XX: ± 0.10 X.X: ± 0.2 X: ± 0.4		DIMENSIONS: MILLIMETERS SCALE: 5:1	
DO NOT SCALE DRAWING REVISE ONLY ON CAD		CUSTOMER PART NO.: N/A	DRAWING NO.: 8300390 SHEET: 1 OF 1 A3

TW Medical