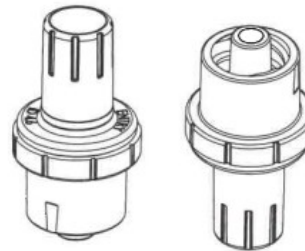
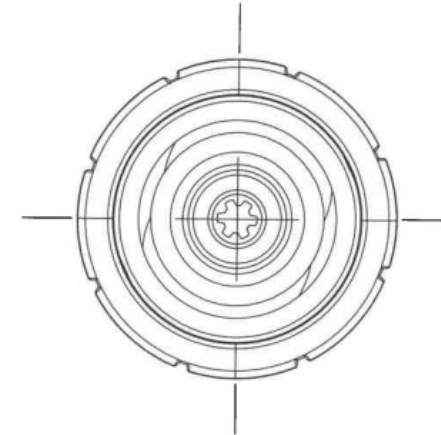
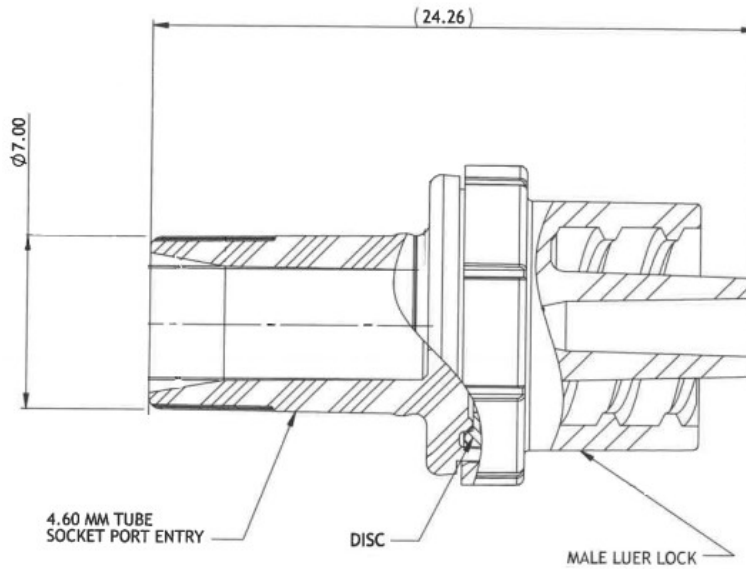


TW Medical



ISOMETRIC VIEWS
SCALE 2:1

MEDIA: N/A.
RESIN: MABS
MASTERBATCH: ENTRY - NONE, EXIT - NONE.

COPYRIGHT © FILTERTEK B.V. 2015

THIRD ANGLE PROJECTION		PROPRIETARY & CONFIDENTIAL NOTICE	
		THIS DRAWING CONTAINS INFORMATION THAT IS PROPRIETARY & CONFIDENTIAL TO FILTERTEK AND SHOULD NOT BE USED WITHOUT WRITTEN PERMISSION.	
DRAWN BY:	DATE:	TITLE:	
ENGINEERING APPROVAL:	DATE:	CHECK VALVE, ANTI OCCLUDE LOW OPENING PRESSURE, 4.60 MM TUBE SOCKET PORT ENTRY TO MALE LUER LOCK EXIT.	
QUALITY APPROVAL:	DATE:		
TOLERANCES (UNLESS SPECIFIED):	DIMENSIONS:	TW Medical	
ANGULAR ± 0.50°	MILLIMETERS		
HOLE ± 0.050	SCALE:	5:1	
PLATE ± 0.10			
R.X ± 0.2			
X ± 0.4			
DO NOT SCALE DRAWING	CUSTOMER PART NO.:	DRAWING NO.:	SHEET:
REVISE ONLY ON CAD	N/A	8300280	1 OF 1
			A3