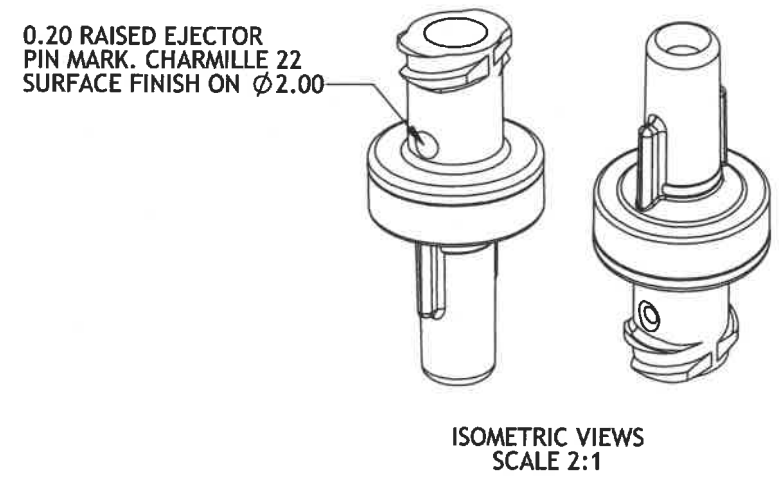
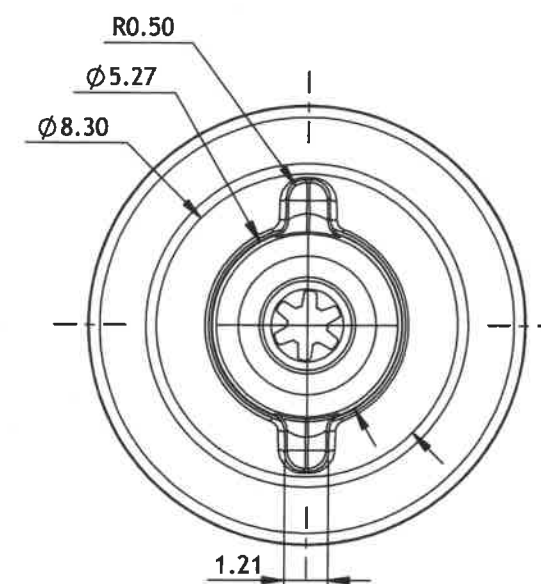
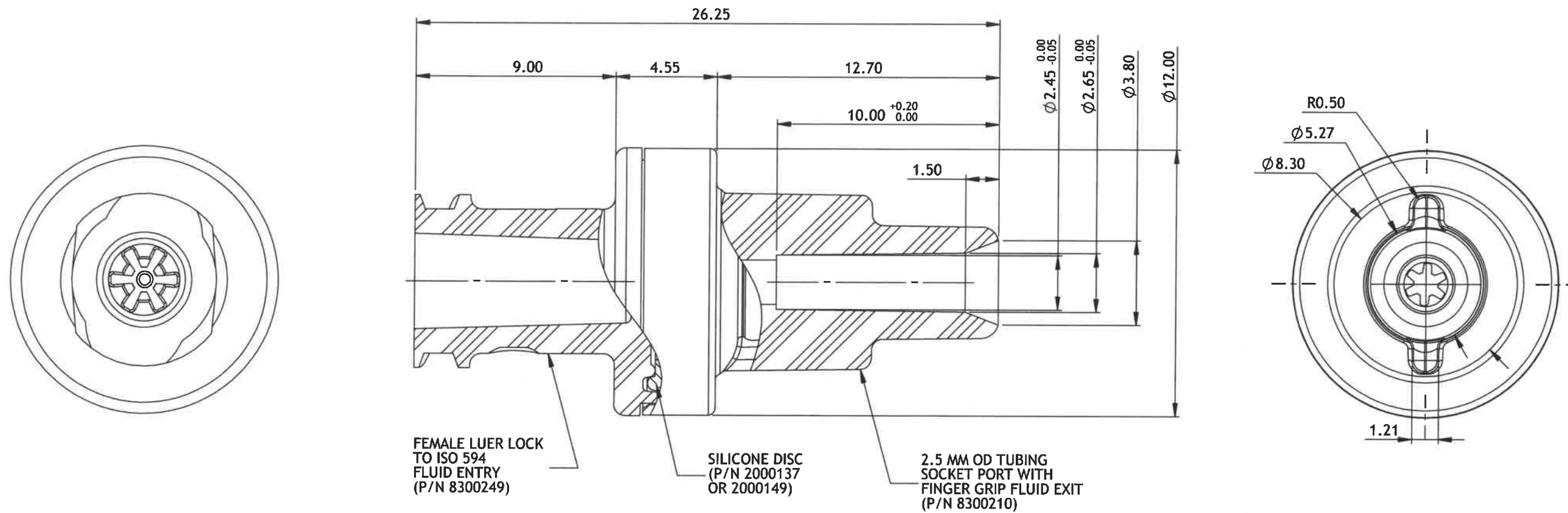


MASTER COPY



11/11/19	21/01/13	01/03/11	DATE	THIRD ANGLE PROJECTION	PROPRIETARY & CONFIDENTIAL NOTICE		
ADDITION OF SILICONE DISC P/N 2000149. REMOVED SILICONE DISC P/N 7003014 AND 7003015.			DESCRIPTION		THIS DRAWING CONTAINS INFORMATION THAT IS CONFIDENTIAL & PROPRIETARY TO FILTERTEK AND SHOULD NOT BE USED WITHOUT WRITTEN PERMISSION.		
002	001	000				REV	DRAWN BY: <i>Kieran</i> DATE: 11 Nov 19 ENGINEERING APPROVAL: <i>Brendan Casey</i> DATE: 12/11/19 QUALITY APPROVAL: <i>J. Smith</i> DATE: 12 Nov 19
SILICONE DISC P/N 2000137 ADDED. INITIAL PRODUCTION RELEASE.						TOLERANCES (UNLESS SPECIFIED): ANGULAR ± 0.50° X.XXX ± 0.050 X.XX ± 0.10 X.X ± 0.2 X ± 0.4	DIMENSIONS MILLIMETERS SCALE: 5:1
MEDIA: N/A. RESIN: BAYER MAKROLON RX 1805. MASTERBATCH: ENTRY - NONE, EXIT - MELCOPLAST GREEN SAS 710595.			DO NOT SCALE DRAWING REVISE ONLY ON CAD		CUSTOMER PART NO.: N/A DRAWING NO.: 8300251 SHEET: 1 OF 1 A3		

