

MASTER COPY

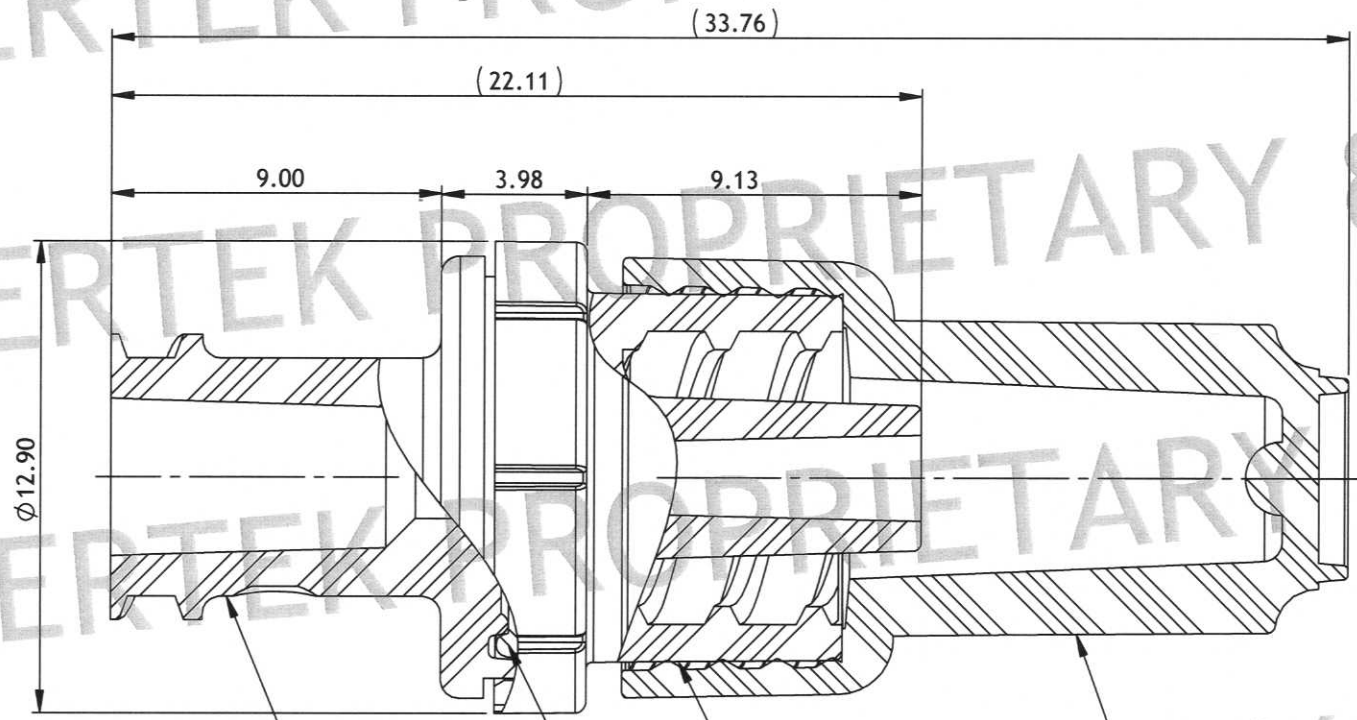
FILTERTEK PROPRIETARY & CONFIDENTIAL

FILTERTEK PROPRIETARY & CONFIDENTIAL

FILTERTEK PROPRIETARY & CONFIDENTIAL

FILTERTEK PROPRIETARY & CONFIDENTIAL

FILTERTEK PROPRIETARY & CONFIDENTIAL

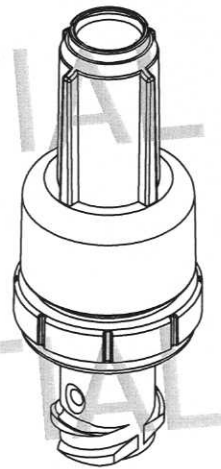
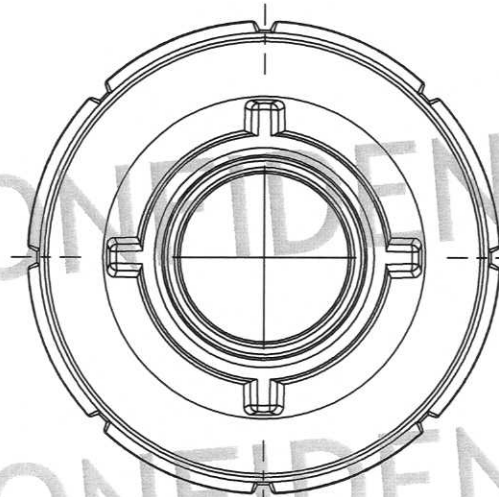


FEMALE LUER LOCK TO ISO 594 ENTRY (P/N 7932008 OR 8300272)

SILICONE DISC (P/N 2000137, 7003014 OR 7003015)

MALE LUER LOCK TO ISO 594 EXIT (P/N 8300375)

LDPE DUST CAP (P/N 8635000)



ISOMETRIC VIEW SCALE 2:1

MEDIA: N/A.
RESIN: COVESTRO MAKROLON RX 1805.
MASTERBATCH: ENTRY - NONE, EXIT - NONE.

REV	DESCRIPTION	DATE	THIRD ANGLE PROJECTION	PROPRIETARY & CONFIDENTIAL NOTICE
005	MIL P/N 8300272 CHANGED TO P/N 8300375. STACK HEIGHT CHANGED FROM 2.65 TO 33.70. DIMENSION 22.06 CHANGED TO 22.11. B-DIMENSION 33.70 CHANGED TO 33.76 AS A RESULT OF STACK HEIGHT INCREASE. BAYER MAKROLON RX 1805 CHANGED TO COVESTRO MAKROLON RX 1805.	10/01/18		<p>THIS DRAWING CONTAINS INFORMATION THAT IS PROPRIETARY & CONFIDENTIAL TO FILTERTEK AND SHOULD NOT BE USED WITHOUT WRITTEN PERMISSION.</p> <p>TITLE: CHECK VALVE, ANTI OCCLUDE LOW OPENING PRESSURE, FEMALE LUER LOCK ENTRY TO MALE LUER LOCK EXIT WITH DUST CAP.</p>
004	SILICONE DISC P/N 2000137 ADDED.	20/05/13		
003	ADDITIONAL FEMALE LUER LOCK ENTRY COMPONENT, P/N 8300272, ADDED.	13/07/12		
002	MALE LUER LOCK EXIT COMPONENT DIMENSION CHANGED FROM 9.08 TO 9.13 WITH OVERALL CHECK VALVE LENGTH CHANGED FROM 22.01 TO 22.06.	28/10/11		
001	MASTERBATCH DETAILS UPDATED.	14/07/10		
000	FIRST RELEASE.	03/10/08	<p>DRAWN BY: <i>Wendy N...</i> DATE: 10/01/18</p> <p>CHECKED BY: <i>Brendan Casey</i> DATE: 10/01/18</p> <p>ENGINEERING APPROVAL: <i>Brendan Casey</i> DATE: 10/01/18</p> <p>QUALITY APPROVAL: <i>Brian O'Connell</i> DATE: 10/1/18.</p> <p>TOLERANCES (UNLESS SPECIFIED): ANGULAR ± 0.50° X.XXX ± 0.050 X.XX ± 0.10 X.X ± 0.2 X ± 0.4</p> <p>DIMENSIONS: MILLIMETERS SCALE: 5:1</p>	
DO NOT SCALE DRAWING REVISE ONLY ON CAD			CUSTOMER PART NO.: N/A	DRAWING NO.: 8300244
			SHEET: 1 OF 1	A3