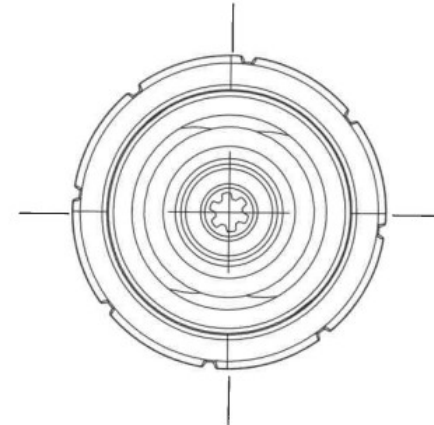
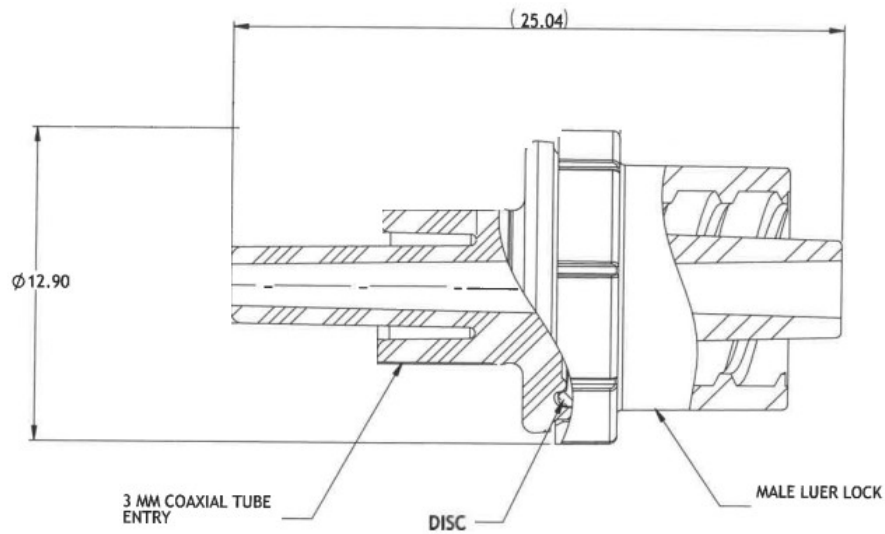


TW Medical



ISOMETRIC VIEW
SCALE 2:1

MEDIA: N/A.
RESIN: MABS
MASTERBATCH: ENTRY - NONE, EXIT - NONE.

COPYRIGHT © FILTERTEX 2019

THIRD ANGLE PROJECTION		PROPRIETARY & CONFIDENTIAL NOTICE	
		THIS DRAWING CONTAINS INFORMATION THAT IS PROPRIETARY & CONFIDENTIAL TO FILTERTEX, AND SHOULD NOT BE USED WITHOUT WRITTEN PERMISSION.	
DRAWN BY:		DATE:	TITLE:
ENGINEERING APPROVAL:		DATE:	CHECK VALVE, ANTI OCCLUDE LOW OPENING PRESSURE, 3 MM COAXIAL TUBE ENTRY TO MALE LUER LOCK EXIT.
QUALITY APPROVAL:		DATE:	
TOURNAICES (UNLESS SPECIFIED):	DIMENSIONS MILLIMETERS		
ANGULAR ± 0.50°	SCALE: 5:1		
CHAMFER ± 0.050		DO NOT SCALE DRAWING	CUSTOMER PART NO.:
SLACK ± 0.10		REVISE ONLY ON CAD	N/A
XX ± 0.2			DRAWING NO.:
X ± 0.4			8300220
			SHEET:
			1 OF 1
			A3