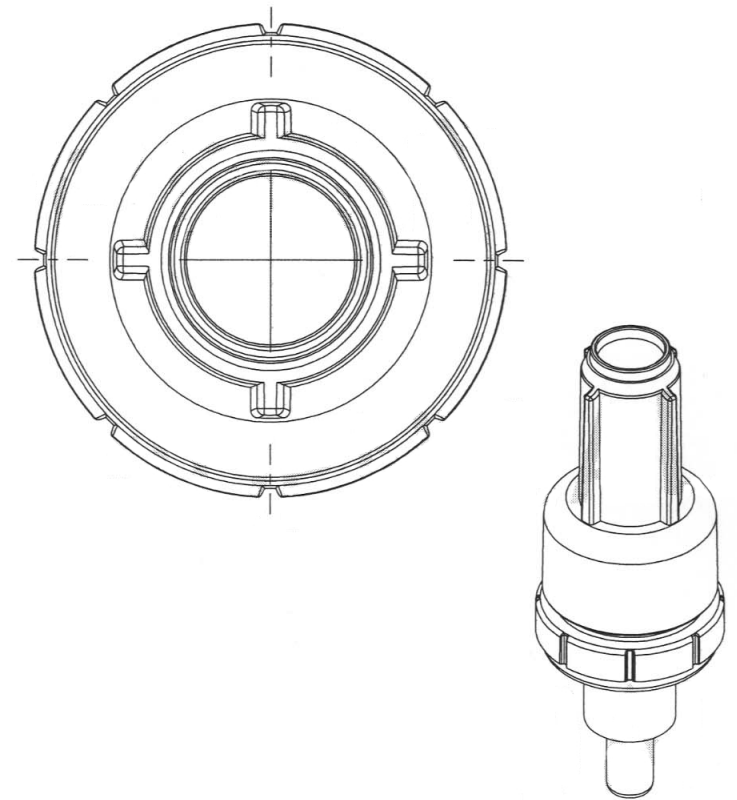


3 MM COAXIAL
TUBE ENTRY
(P/N 8300252)

SILICONE DISC
(P/N 2000137,
7003014 OR
7003015)

MALE LUER LOCK
TO ISO 594 EXIT
(P/N 8300211)

LDPE DUST CAP
(P/N 8635013)



ISOMETRIC VIEW
SCALE 2:1

MEDIA: N/A.
RESIN: BASF TERLUX 2802 HD.
MASTERBATCH: ENTRY - NONE, EXIT - NONE.

REV	DESCRIPTION	DATE	THIRD ANGLE PROJECTION	PROPRIETARY & CONFIDENTIAL NOTICE
004	ADDITIONAL SILICONE DISC P/N 2000137 ADDED. DUST CAP CHANGED FROM P/N 8635012 TO P/N 8635013.	23/08/13		THIS DRAWING CONTAINS INFORMATION THAT IS PROPRIETARY & CONFIDENTIAL TO FILTERTEK AND SHOULD NOT BE USED WITHOUT WRITTEN PERMISSION.
003	MALE LUER LOCK EXIT COMPONENT DIMENSION CHANGED FROM 9.08 TO 9.13 WITH OVERALL CHECK VALVE LENGTH CHANGED FROM 24.99 TO 25.04.	26/08/11		
002	FLUID ENTRY CHANGED FROM PART NUMBER 7001120 TO 8300252.	30/07/10		
001	ADDITIONAL SILICONE DISC PART NUMBER 7003015 ADDED. WELD JOINT ON MLL EXIT UPDATED. NEW DUST CAP PART NUMBER 8635012 REPLACES DUST CAP PART NUMBER 8635000.	06/03/09		
000	FIRST PRODUCTION RELEASE.	03/10/08		
DRAWN BY: <i>Colin Curran</i> DATE: 23/08/13 CHECKED BY: <i>Blair Casey</i> DATE: 23/8/13 ENGINEERING APPROVAL: <i>Colin Curran</i> DATE: 23/08/13 QUALITY APPROVAL: <i>Bevin O'Connell</i> DATE: 23/08/13		TITLE: CHECK VALVE, ANTI OCCLUDE LOW OPENING PRESSURE, 3 MM COAXIAL TUBE ENTRY TO MALE LUER LOCK EXIT WITH DUST CAP.		
TOLERANCES (UNLESS SPECIFIED): ANGULAR ± 0.50° X.XXX ± 0.050 X.XX ± 0.10 X.X ± 0.2 X ± 0.4		DIMENSIONS: MILLIMETERS SCALE: 5:1		
DO NOT SCALE DRAWING REVISE ONLY ON CAD		CUSTOMER PART NO.: N/A	DRAWING NO.: 8300214	SHEET: 1 OF 1 A3

