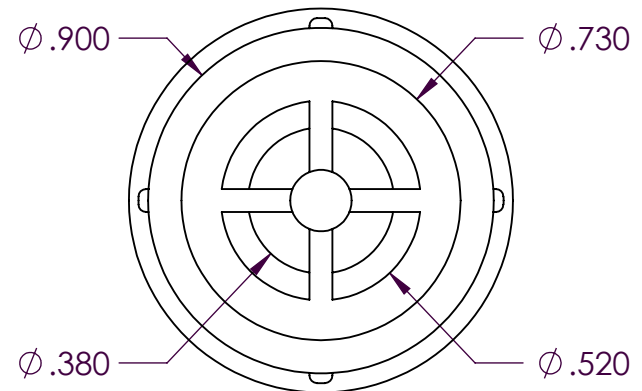
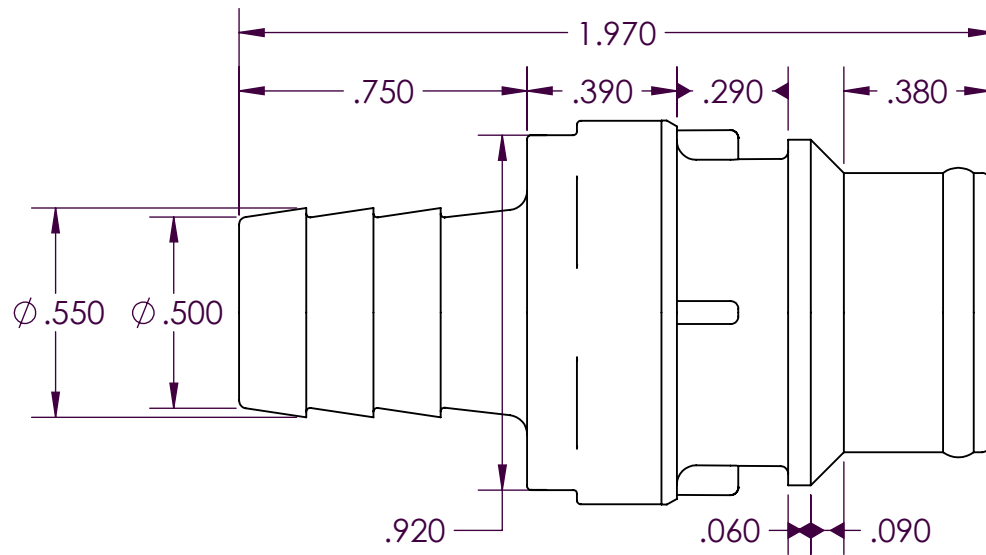
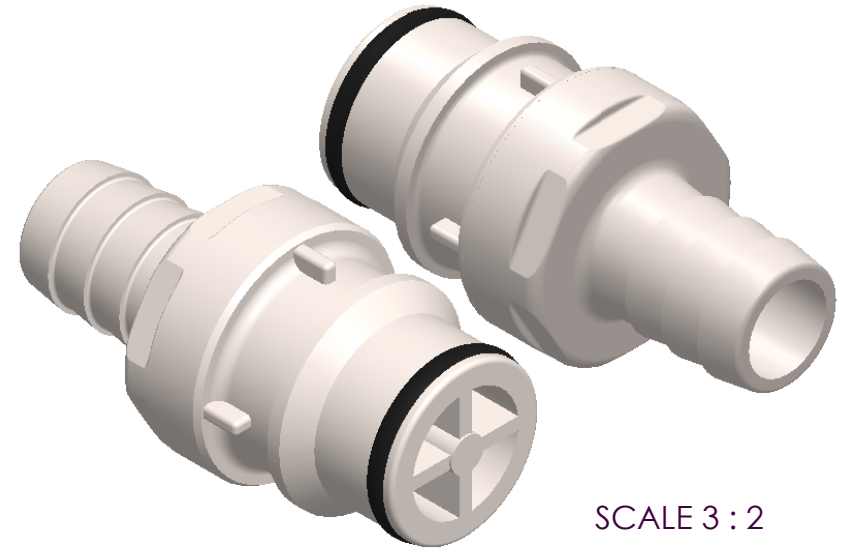


LEFT VIEW



PROPRIETARY AND CONFIDENTIAL

Description

THE INFORMATION CONTAINED IN THIS DRAWING IS THE SOLE PROPERTY OF INDUSTRIAL SPECIALTIES MFG. AND IS MED SPECIALITES. ANY REPRODUCTION IN PART OR AS A WHOLE WITHOUT THE WRITTEN PERMISSION OF INDUSTRIAL SPECIALTIES MFG. AND IS MED SPECIALITES IS PROHIBITED.

1/2" Hose Barb,
 Non-Valved In-Line Hose Barb Plug Coupling,
 3/8" Flow,
 Medical Grade Polypropylene Body
 and Terminations,
 Peroxide-Cured EPDM O-Ring Seal

NAME	DATE
DRAWN BY: SCW	20-JUL-2016

PART#

60PP-PE2-08

REV
1

SHEET 1 OF 4

SCALE 2 : 1

DO NOT SCALE DRAWING

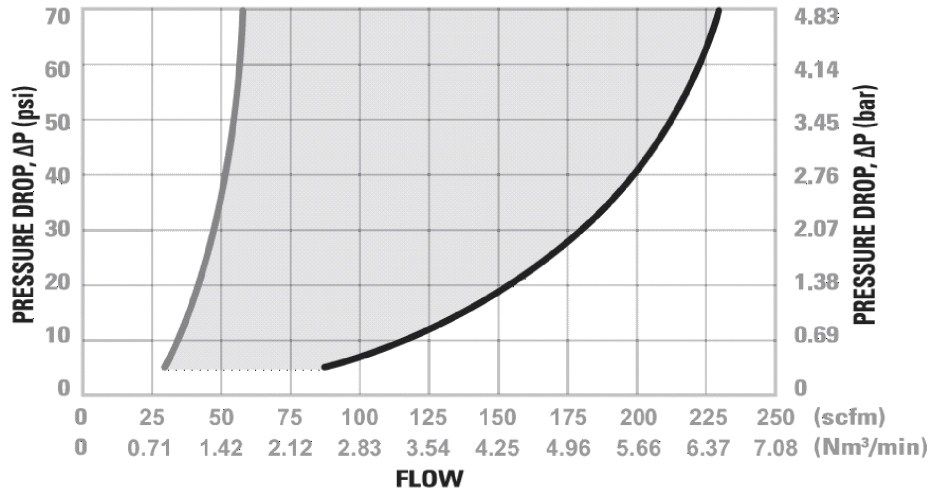


Industrial Specialties Mfg.
IS Med Specialties

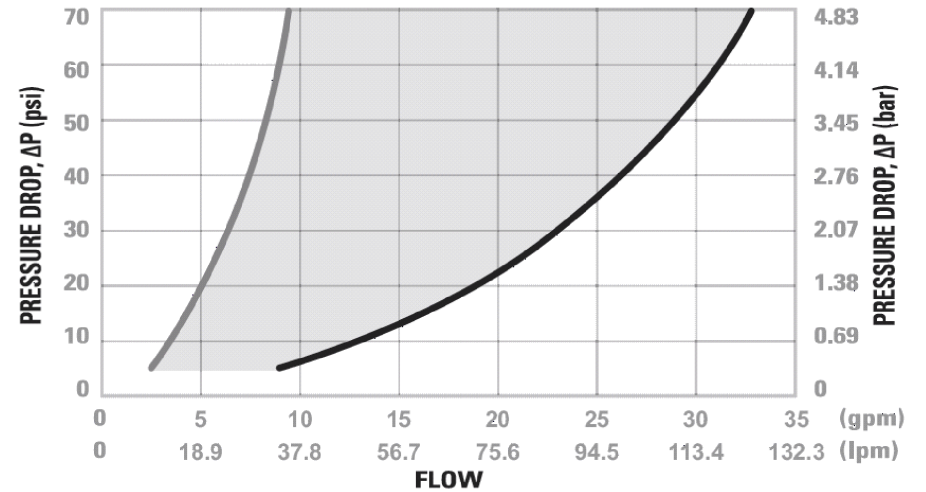
Specifications

Body and Termination Material	Medical Grade Polypropylene
Seal Material Option	Peroxide-cured EPDM O-ring Seal
Operating Pressure Range	Vacuum to 60 psi (4.2 bar)
Operating Temperature Range	32° F to 160° F (0° C to 71° C)
Flow Capacity	3/8" Size
Barb Size	1/2" ID, 12.7mm ID
Compatibility Statement	<p>It is the sole responsibility of the system designer and user to select products suitable for their specific application requirements and to ensure proper installation, operation, and maintenance of these products.</p> <p>Material compatibility, product ratings and application details should be considered in the selection. Improper selection or use of products described herein can cause personal injury or product damage.</p>

60PP Series Air Flow



60PP Series Water Flow



Specific coupling combination flow rates can be determined by using this formula:

$$Q = C_v \times \text{SQRT}(\Delta P/S)$$

SQRT = Square root
 Q = Flow rate in gallons per minute
 C_v = Average flow rate (see chart)
 ΔP = Pressure drop across coupling (psi)
 S = Specific gravity of liquid

C_v Values

Sockets:	60PPV-SE1-06	60PPV-SE1-08	60PPV-SE2-06	60PPV-SE2-08	60PPV-SE2-12	60PPV-SE3-06	60PPV-SE3-08	60PPV-S2-12
60PP-PE2-08	1.62	1.62	1.17	1.61	-	1.17	1.61	-

Sterilization and Disinfectant Compatibility

Material	Formalin	Isopropyl Alcohol (IPA)	Ethyl Alcohol	Ethylene Oxide (EtO)	Autoclave	E-Beam (50 kilorays)	GAMMA 5 (50 kilograys)	Dry Heat (250° F)
Polypropylene	Y	Y	Y	Y	N	Y	Y	N

Key: Y = Excellent, Recommended, N = Not Recommended

Sterilization Methods:

Disinfectants: Sterilized coupled or uncoupled at 70°F (20°C)

Ethylene Oxide, EtO: Sterilized coupled or uncoupled, up to 5 repetitions, 4 hours maximum, 100% EtO at 110°F (43°C)

Autoclave: Sterilize uncoupled only, 30 minutes Max, 10 repetitions maximum, 250°F (121°C) maximum

Electron Beam (E-Beam): Sterilize coupled or uncoupled, 50 kilograys maximum cumulative exposure

GAMMA: Sterilize coupled or uncoupled, 50 kilograys maximum cumulative exposure

Dry Heat: Sterilize uncoupled only, 250°F (121°C) 12 hours maximum

60PP Series Temperature

