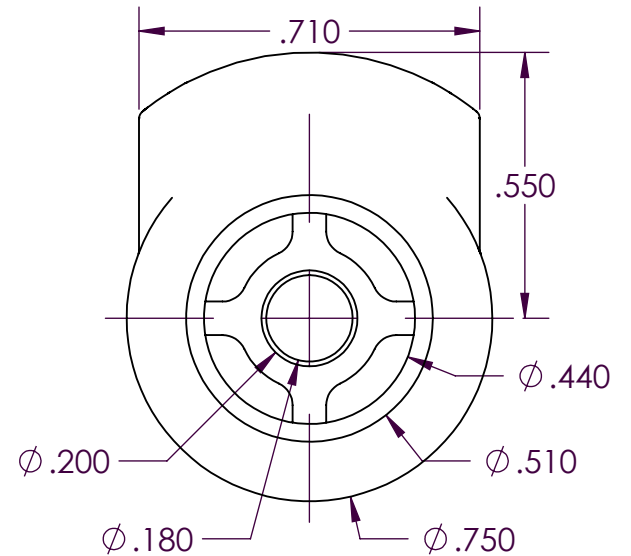
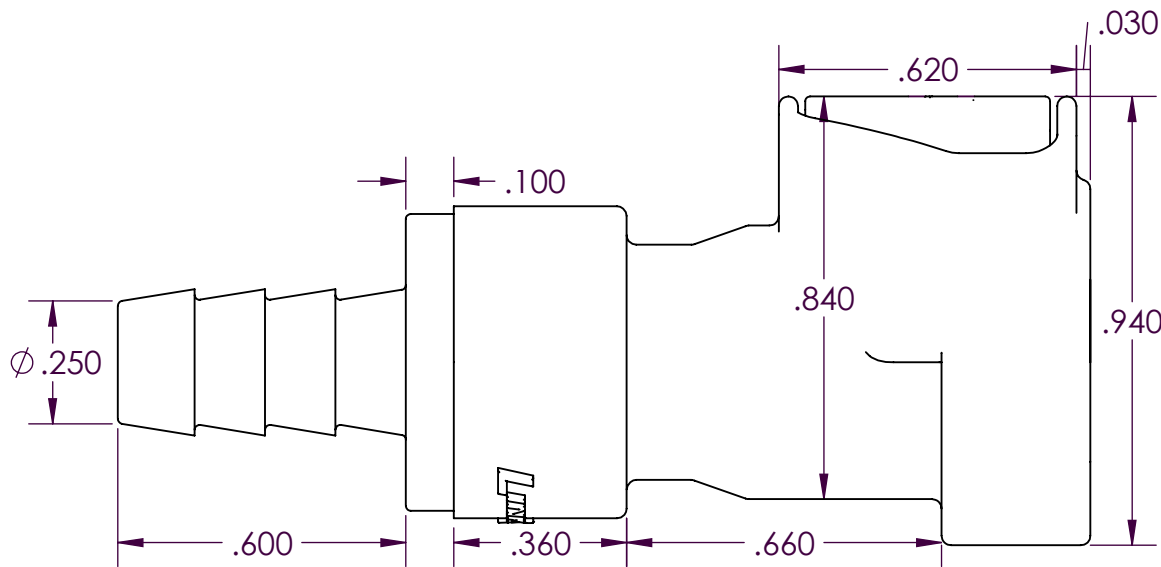


SCALE 3 : 2



PROPRIETARY AND CONFIDENTIAL

Description

THE INFORMATION CONTAINED IN THIS DRAWING IS THE SOLE PROPERTY OF INDUSTRIAL SPECIALTIES MFG. AND IS MED SPECIALITES. ANY REPRODUCTION IN PART OR AS A WHOLE WITHOUT THE WRITTEN PERMISSION OF INDUSTRIAL SPECIALTIES MFG. AND IS MED SPECIALITES IS PROHIBITED.

1/4" Hose Barb, Valved Thumb-Latch Type Hose Barb Socket Coupling, Long Body, 1/4" Flow, Natural Acetal Body and Terminations, Natural Acetal Internal Valve, Buna-N O-Ring Seal, Gray Acetal Thumb-Latch, Stainless Steel Spring

NAME DATE
DRAWN BY: SCW 06-MAY-2016

PART# 50ACV-SB2-04 REV 1

SHEET 1 OF 3

SCALE 5 : 2

DO NOT SCALE DRAWING

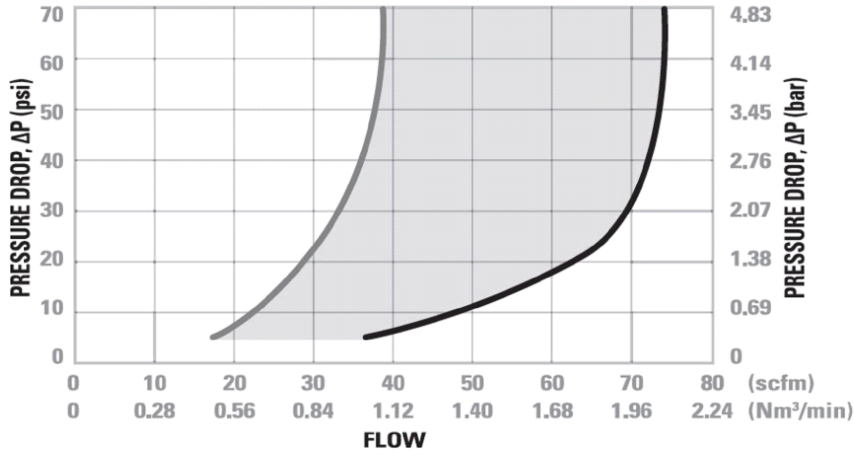


Industrial Specialties Mfg.
IS Med Specialties

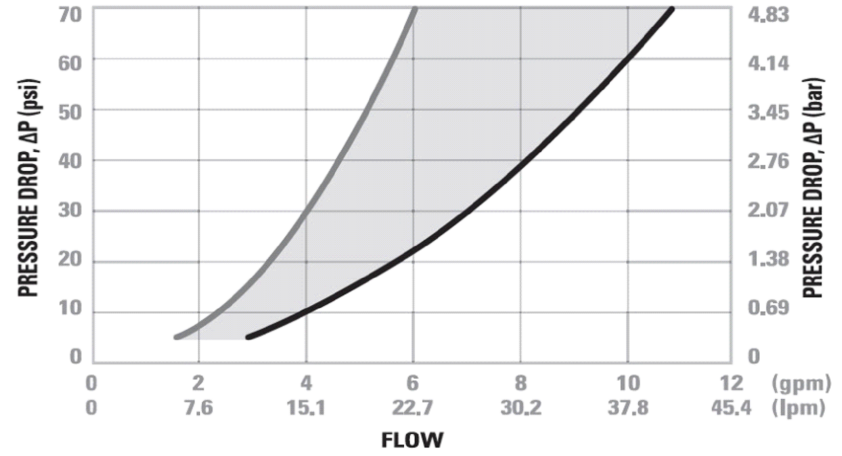
Specifications

Body and Termination Material	Natural Acetal (POM) - FDA and NSF Compliant for Food Contact
Seal Material Option	Buna-N O-ring - FDA and NSF Compliant for Food Contact O-rings lubricated with Dow Corning 200 food grade silicone oil.
Internal Valve Material	Natural Acetal (POM) - FDA and NSF Compliant for Food Contact
Internal Valve Spring Material	316 Stainless Steel
Thumb Latch Material	Gray Acetal (POM)
Thumb Latch Spring Material	304 Stainless Steel
Operating Pressure Range	Vacuum to 120 psi (8.3 bar)
Operating Temperature Range	-40° F to 180° F (-40° C to 82° C)
Flow Capacity	1/4" Size
Barb Tube Size	1/4" ID, 6.4mm ID
Compatibility Statement	<p>It is the sole responsibility of the system designer and user to select products suitable for their specific application requirements and to ensure proper installation, operation, and maintenance of these products.</p> <p>Material compatibility, product ratings and application details should be considered in the selection. Improper selection or use of products described herein can cause personal injury or product damage.</p>

50AC Series Air Flow



50AC Series Water Flow



Specific coupling combination flow rates can be determined by using this formula:

$$Q = C_v \times \text{SQRT}(\Delta P / S)$$

SQRT = Square root
 Q = Flow rate in gallons per minute
 C_v = Average flow rate (see chart)
 ΔP = Pressure drop across coupling (psi)
 S = Specific gravity of liquid

C_v Values for the 50ACV-SB2-04

Valved In-Line Hose Barb Socket Long Body Coupling

Plugs:	50ACV-PB2-04	50AC-PB2-04	50ACV-PB2-06	50AC-PB2-06	50ACV-PB9-04	50AC-PB9-04
50ACV-SB2-04	0.42	0.58	0.45	0.78	0.31	0.38

Plugs:	50ACV-PB9-06	50AC-PB9-06	50ACV-PB1-04	50AC-PB1-04	50ACV-PB1-06	50AC-PB1-06
50ACV-SB2-04	0.45	0.60	0.43	0.79	0.45	0.75