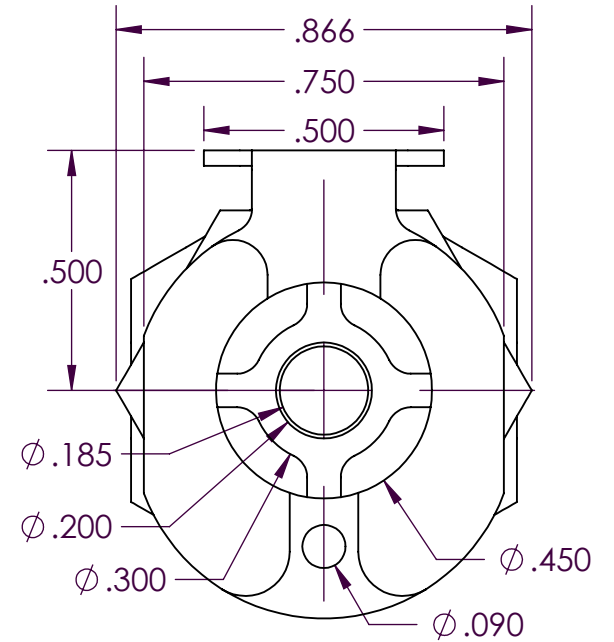
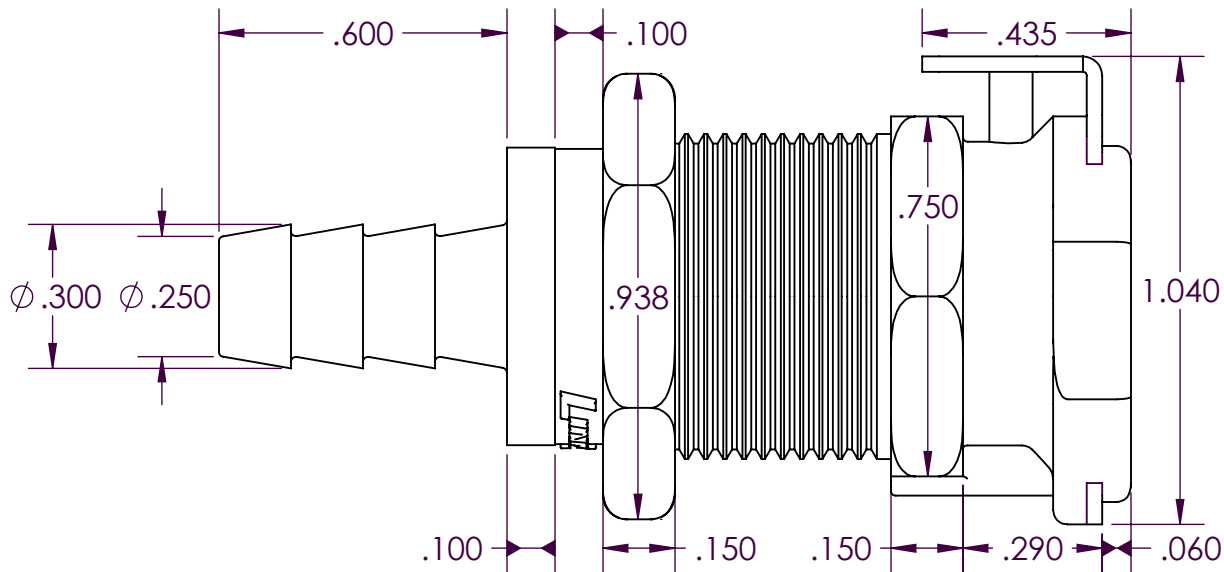


SCALE 3 : 2



PROPRIETARY AND CONFIDENTIAL

Description

1/4" Hose Barb, Valved Panel Mount Hose Barb Socket Thumb-Latch Type Coupling, 1/4" Flow, Almond Polypropylene Body, Internal Valve and Terminations, Stainless Steel Thumb-Latch, Springs and Pins, Buna-N O-Ring Seal, Nickel Plated Brass Panel Nut

THE INFORMATION CONTAINED IN THIS DRAWING IS THE SOLE PROPERTY OF INDUSTRIAL SPECIALTIES MFG. AND IS MED SPECIALITES. ANY REPRODUCTION IN PART OR AS A WHOLE WITHOUT THE WRITTEN PERMISSION OF INDUSTRIAL SPECIALTIES MFG. AND IS MED SPECIALITES IS PROHIBITED.

NAME DATE
DRAWN BY: SCW 28-MAR-2016

PART# REV
40PPV-SE3-04MALD 1

SHEET 1 OF 3

SCALE 5 : 2

DO NOT SCALE DRAWING

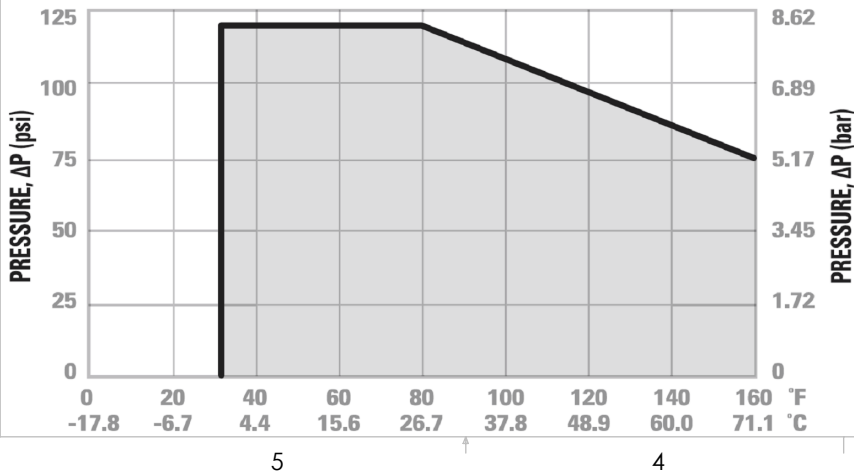


Industrial Specialties Mfg.
IS Med Specialties

Specifications

| | |
|--------------------------------|---|
| Body and Termination Material | Medical Grade Polypropylene |
| Standard Color Option | Almond |
| Seal Material Option | Peroxide-cured EPDM |
| Internal Valve Material | Medical Grade Polypropylene |
| Internal Valve Spring Material | 316 Stainless Steel |
| Thumb-latch Material | 301 Stainless Steel |
| Thumb-latch Spring Material | 304 Stainless Steel |
| Pin Material | 316 Stainless Steel |
| Pin Spring Material | 302 Stainless Steel |
| Panel Mount Nut | 13/16" 11/16"-24UNS Electrodeposited Nickel Plated Brass |
| Operating Pressure Range | Vacuum to 120 psi (8.3 bar) |
| Operating Temperature Range | 32° F to 160° F (0° C to 71° C) |
| Flow Capacity | 1/4" Size |
| Barb Size | 1/4" ID, 6.4mm ID |
| Sterilization | Gamma; 50 kGy irradiation max |
| Compatibility Statement | <p>It is the sole responsibility of the system designer and user to select products suitable for their specific application requirements and to ensure proper installation, operation, and maintenance of these products.</p> <p>Material compatibility, product ratings and application details should be considered in the selection. Improper selection or use of products described herein can cause personal injury or product damage.</p> |

40PP Series Temperature

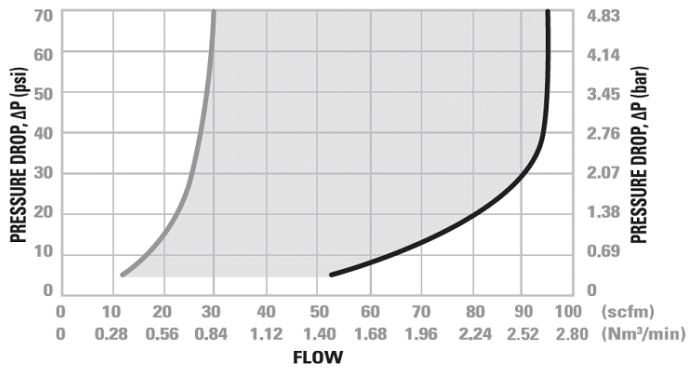


40PP Series Medical Grade Polypropylene Sterilization and Disinfectant Compatibility

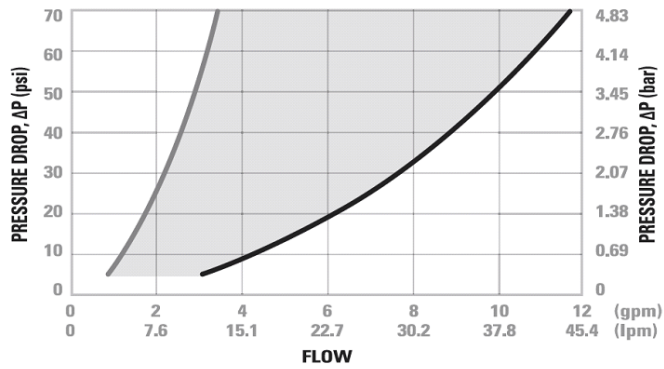
| | | | |
|-----------|-------------------|---------------|----------------------|
| Formalin | Isopropyl Alcohol | Ethyl Alcohol | Ethylene Oxide (EtO) |
| Excellent | Excellent | Excellent | Excellent |

| | | | |
|------------|-----------------|----------------------|-------------------|
| Autoclave | E-Beam (50 kGy) | Gamma 5 Mrad (50kGy) | Dry Heat (250° F) |
| Do Not Use | Excellent | Excellent | Do Not Use |

40PP Series Air Flow



40PP Series Water Flow



Specific coupling combination flow rates can be determined by using this formula:

$$Q = C_v \times \text{SQRT}(\Delta P/S)$$

SQRT = Square root
 Q = Flow rate in gallons per minute
 C_v = Average flow rate (see chart)
 ΔP = Pressure drop across coupling (psi)
 S = Specific gravity of liquid

Panel Mount Dimensions

| | PANEL OPENING | MAX PANEL THICKNESS | MIN PANEL THICKNESS |
|---------|---------------|---------------------|---------------------|
| SOCKETS | See Drawing | 0.5" | 0.05" |
| PLUGS | 0.688 | 0.3" | 0.05" |

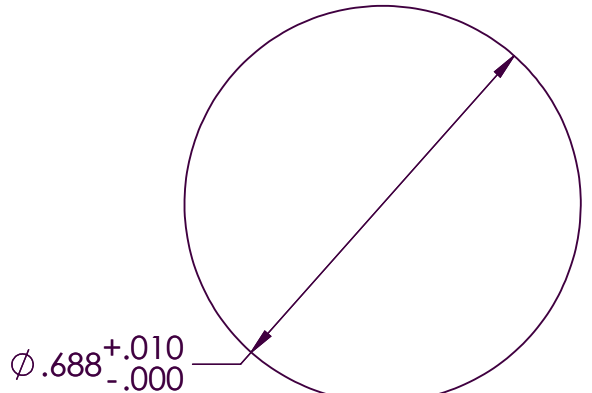
C_v Values for the 40PPV-SE3-04MALD

Valved Panel Mount Hose Barb Socket Coupling

| Plugs: | 40PPV-PE2-04 | 40PPV-PE2-04 | 40PPV-PE2-06 | 40PPV-PE2-06 | 40PPV-PE9-06 | 40PPV-PE9-06 |
|--------|------------------|--------------|--------------|--------------|--------------|--------------|
| | 40PPV-SE3-04MALD | 0.42 | 0.58 | 0.45 | 0.78 | 0.45 |

| Plugs: | 40PPV-PE1-04 | 40PPV-PE1-04 | 40PPV-PE3-04 | 40PPV-PE3-04 | 40PPV-PE3-06 | 40PPV-PE3-06 |
|--------|------------------|--------------|--------------|--------------|--------------|--------------|
| | 40PPV-SE3-04MALD | 0.43 | 0.79 | 0.42 | 0.58 | 0.45 |

| PANEL NUT HEX SIZE | PANEL NUT THREAD |
|--------------------|------------------|
| 13/16" | 11/16" - 24UNS |



40PPV-SE3-04MALD
SHEET 3 OF 3