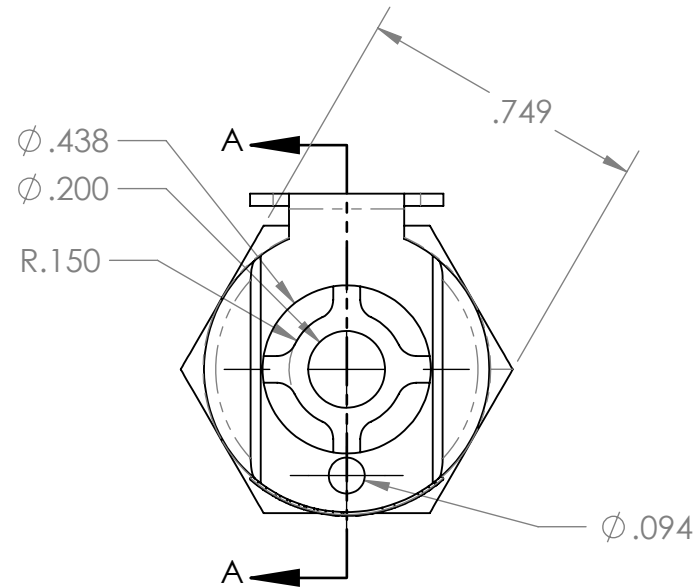
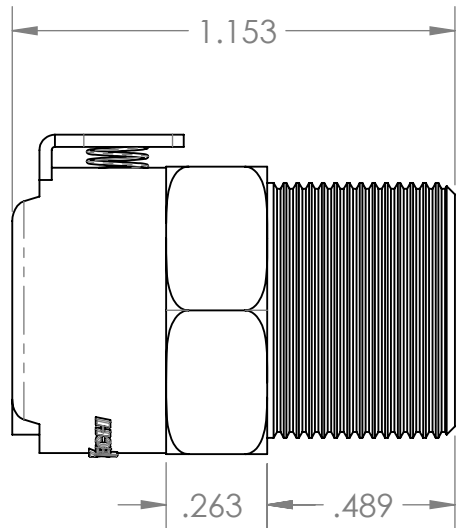
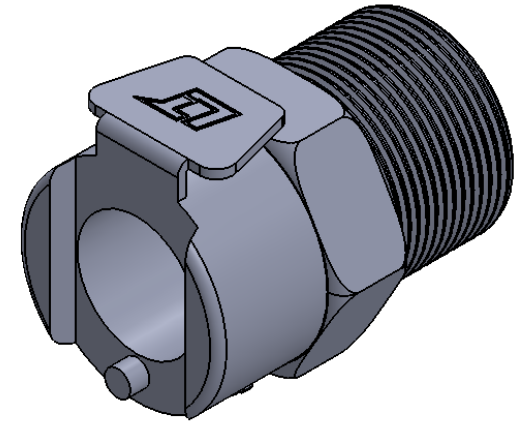
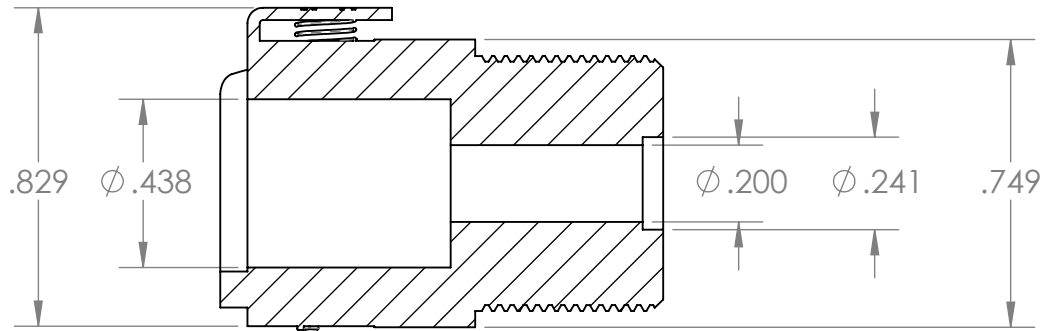


SECTION A-A



UNLESS OTHERWISE SPECIFIED:		NAME	DATE
DRAWN		ME	7/9/2013
CHECKED			
ENG APPR.			
MFG APPR.			
Q.A.			
Comments:			
MATERIAL	Brass		
FINISH	Chrome Plated		
DO NOT SCALE DRAWING			



**Industrial Specialties Mfg.**  
**IS Med Specialties**

DESCRIPTION:  
3/8" Male NPT Valved Socket,  
1/4" Flow, Buna-N Seals

SIZE	PART#	REV
<b>A</b>	40CBV-SB1-06	1

SCALE: 2:1

SHEET 1 OF 1

PROPRIETARY AND CONFIDENTIAL

THE INFORMATION CONTAINED IN THIS DRAWING IS THE SOLE PROPERTY OF INDUSTRIAL SPECIALTIES MFG. AND IS MED SPECIALITES. ANY REPRODUCTION IN PART OR AS A WHOLE WITHOUT THE WRITTEN PERMISSION OF INDUSTRIAL SPECIALTIES MFG. AND IS MED SPECIALITES IS PROHIBITED.