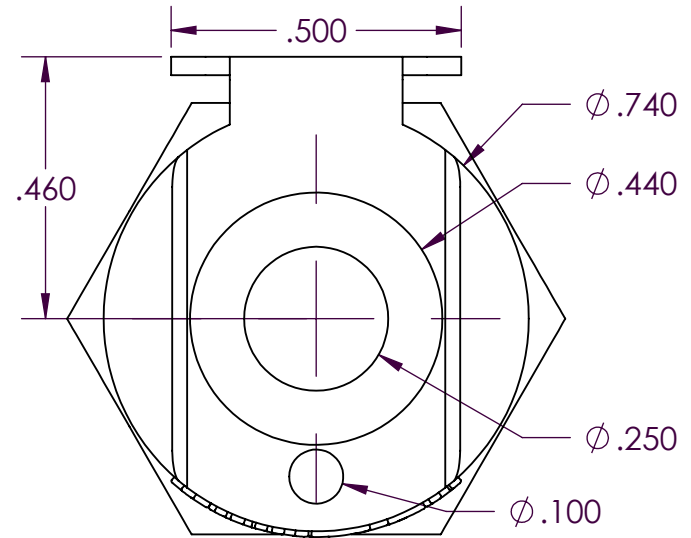
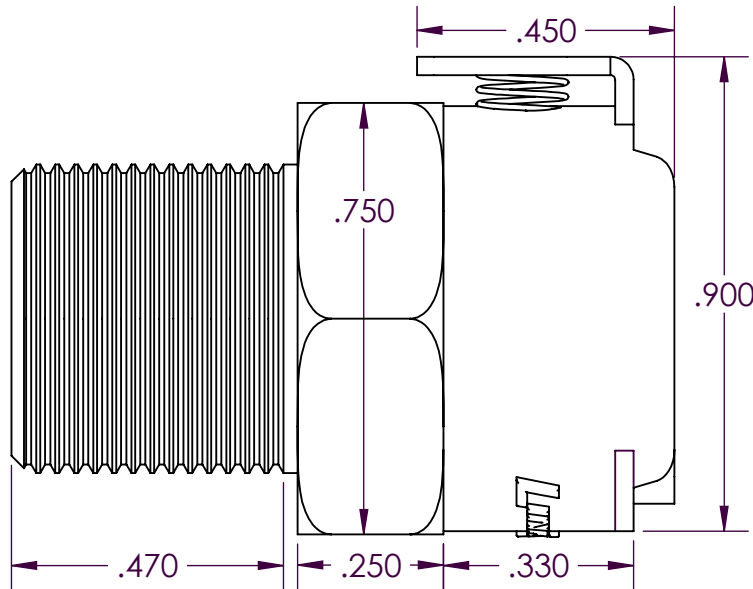


SCALE 3 : 2



PROPRIETARY AND CONFIDENTIAL

Description

THE INFORMATION CONTAINED IN THIS DRAWING IS THE SOLE PROPERTY OF INDUSTRIAL SPECIALTIES MFG. AND IS MED SPECIALITES. ANY REPRODUCTION IN PART OR AS A WHOLE WITHOUT THE WRITTEN PERMISSION OF INDUSTRIAL SPECIALTIES MFG. AND IS MED SPECIALITES IS PROHIBITED.

1/4" NPT Male Thread Socket,  
Non-Valved Thumb-Latch Type Coupling,  
1/4" Flow,  
Chrome Plated Brass Body and Terminations,  
Stainless Steel Thumb-Latch, External Springs  
and Pin

NAME	DATE
DRAWN BY: SCW	08-APR-2016

PART#	REV
40CB-S1-04	1

SHEET 1 OF 3

SCALE 3 : 1

DO NOT SCALE DRAWING

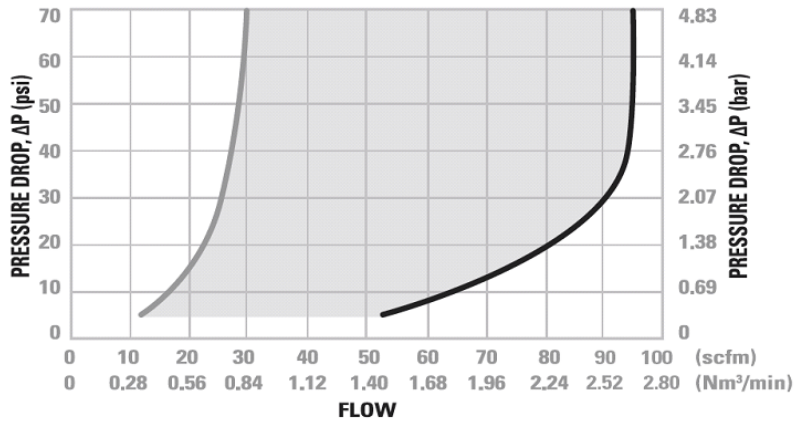


**Industrial Specialties Mfg.**  
**IS Med Specialties**

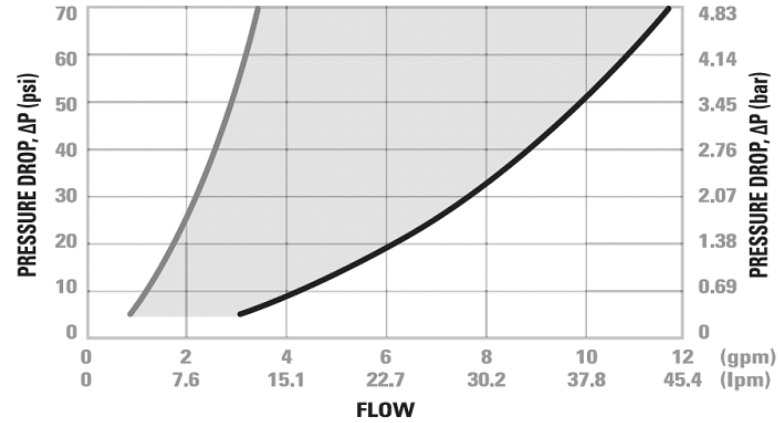
# Specifications

Body and Termination Material	NSF Food Contact Compliant Chrome Plated Brass
Thumb-latch Material	301 Stainless Steel
Thumb-latch Spring Material	304 Stainless Steel
Pin Material	316 Stainless Steel
Pin Spring Material	302 Stainless Steel
Operating Pressure Range	Vacuum to 250 psi ( 17.3 bar)
Operating Temperature Range	-40° F to 180° F (-40° C to 82° C)
Flow Capacity	1/4" Size
Thread Size	1/4" NPT (American National Standard Taper Pipe Thread)
Compatibility Statement	<p>It is the sole responsibility of the system designer and user to select products suitable for their specific application requirements and to ensure proper installation, operation, and maintenance of these products.</p> <p>Material compatibility, product ratings and application details should be considered in the selection. Improper selection or use of products described herein can cause personal injury or product damage.</p>

### 40CB Series Air Flow



### 40CB Series Water Flow



Specific coupling combination flow rates can be determined by using this formula:

$$Q = C_v \times \text{SQRT}(\Delta P/S)$$

SQRT = Square root  
 Q = Flow rate in gallons per minute  
 C<sub>v</sub> = Average flow rate (see chart)  
 ΔP = Pressure drop across coupling (psi)  
 S = Specific gravity of liquid

### C<sub>v</sub> Values for the 40CB-S1-04

#### Non-Valved Male Thread Socket Coupling

Plugs:	40CBV-PB2-04	40CB-PB2-04	40CBV-PB2-06	40CB-PB2-06	40CBV-PB9-04	40CB-PB9-04
40CB-S1-04	0.56	0.84	0.83	1.40	0.35	0.40

Plugs:	40CBV-PB9-06	40CB-PB9-06	40CBV-PB1-04	40CB-PB1-04	40CBV-PB1-06	40CB-PB1-06
40CB-S1-04	0.58	1.04	0.75	1.40	0.78	1.40