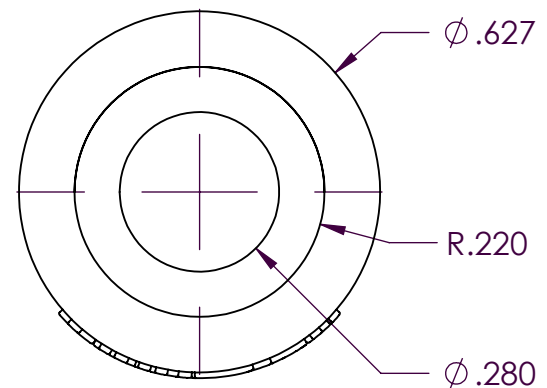
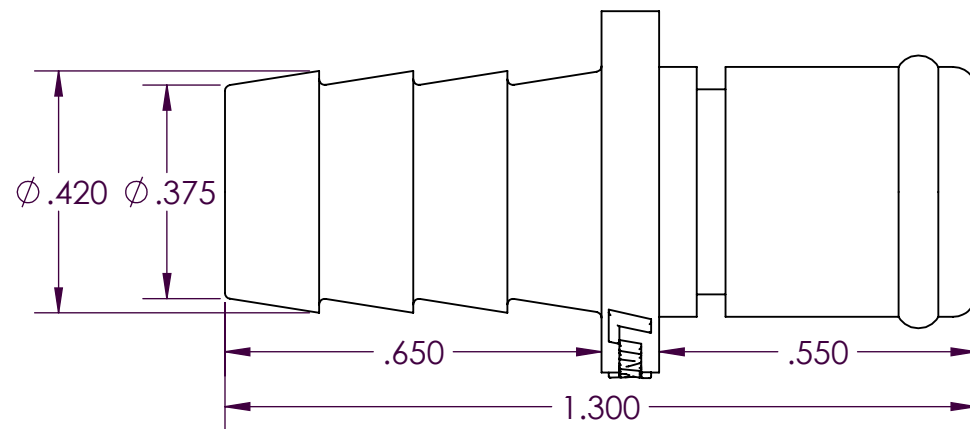
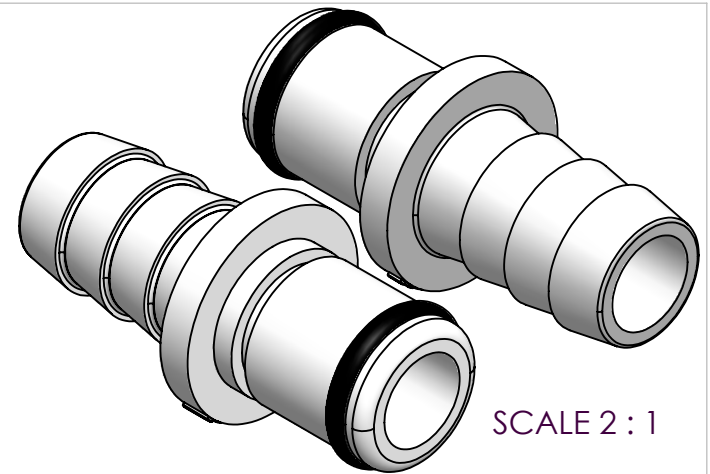


LEFT VIEW



PROPRIETARY AND CONFIDENTIAL

Description

THE INFORMATION CONTAINED IN THIS DRAWING IS THE SOLE PROPERTY OF INDUSTRIAL SPECIALTIES MFG. AND IS MED SPECIALITES. ANY REPRODUCTION IN PART OR AS A WHOLE WITHOUT THE WRITTEN PERMISSION OF INDUSTRIAL SPECIALTIES MFG. AND IS MED SPECIALITES IS PROHIBITED.

3/8" Hose Barb, In-Line Hose Barb Non-Valved Plug Coupling, 1/4" Flow, Chrome Plated Brass Body and Terminations, Buna-N O-Ring Seal

NAME	DATE
DRAWN BY: SCW	19-APR-2016

PART#	REV
40CB-PB2-06	1

SHEET 1 OF 3

SCALE 3 : 1

DO NOT SCALE DRAWING

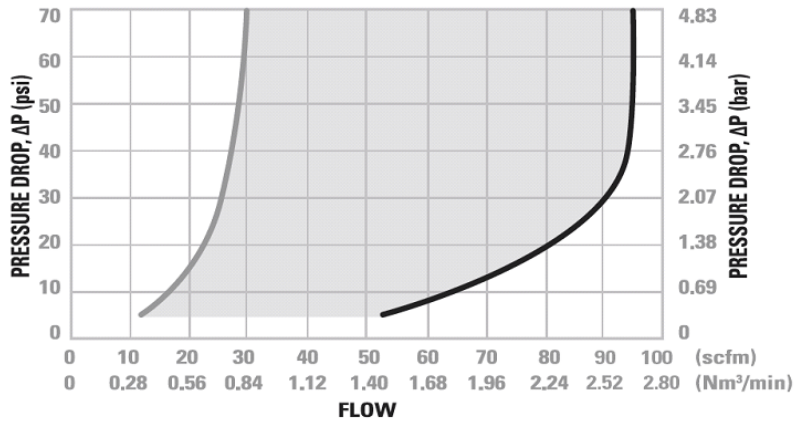


Industrial Specialties Mfg.
IS Med Specialties

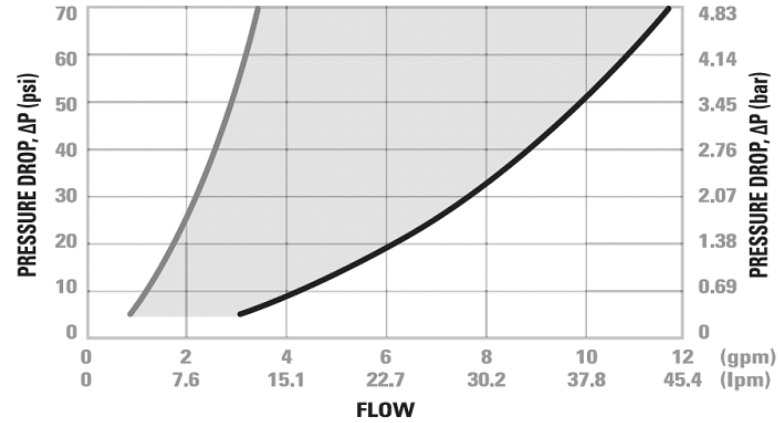
Specifications

Body and Termination Material	Chrome Plated Brass - FDA and NSF Food Contact Compliant
Seal Material Option	Buna-N O-ring - FDA and NSF Compliant for Food Contact O-ring lubricated with Dow Corning 200 food grade silicone oil.
Operating Pressure Range	Vacuum to 250 psi (17.3 bar)
Operating Temperature Range	-40° F to 180° F (-40° C to 82° C)
Flow Capacity	1/4" Size
Barb Size	3/8" ID, 9.5mm ID
Compatibility Statement	<p>It is the sole responsibility of the system designer and user to select products suitable for their specific application requirements and to ensure proper installation, operation, and maintenance of these products.</p> <p>Material compatibility, product ratings and application details should be considered in the selection. Improper selection or use of products described herein can cause personal injury or product damage.</p>

40CB Series Air Flow



40CB Series Water Flow



Valved Socket & Plug



Valved & Non-Valved Coupling Set



Non-Valved Socket & Plug



Specific coupling combination flow rates can be determined by using this formula:

$$Q = C_v \times \text{SQRT}(\Delta P/S)$$

SQRT = Square root

Q = Flow rate in gallons per minute

C_v = Average flow rate (see chart)

ΔP = Pressure drop across coupling (psi)

S = Specific gravity of liquid

C_v Values for the 40CB-PB2-06

Non-Valved In-Line Hose Barb Plug Coupling

Sockets:	40CBV-	40CB-	40CBV-	40CB-	40CBV-	40CB-
	SB2-04	S2-04	SB2-06	S2-06	SB3-04	S3-04
40CB-PB2-06	0.78	1.00	0.89	1.40	0.78	1.00

Sockets:	40CBV-	40CB-	40CBV-	40CB-	40CBV-	40CB-
	SB3-06	S3-06	SB1-04	S1-04	SB1-06	S1-06
40CB-PB2-06	0.89	1.40	0.81	1.40	1.03	1.40

40CB-PB2-06

SHEET 3 OF 3