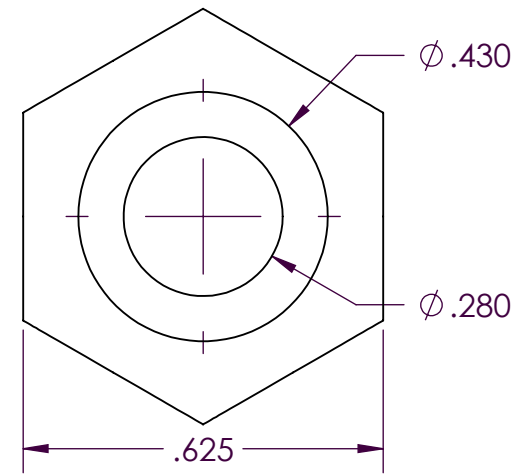
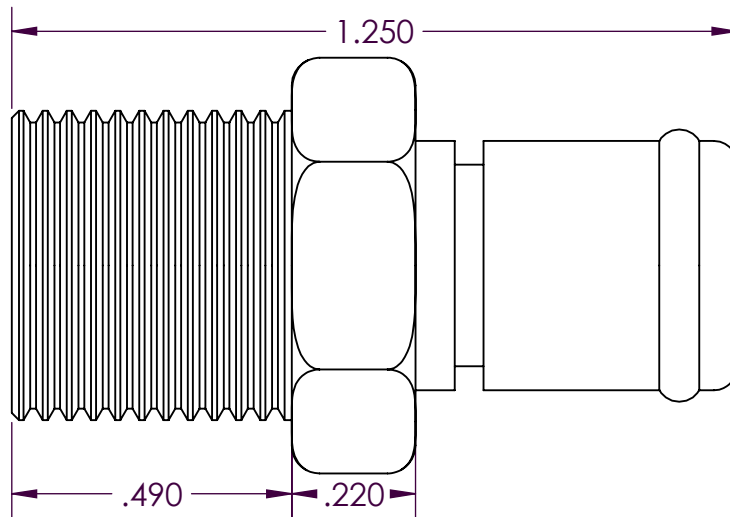


SCALE 2 : 1



PROPRIETARY AND CONFIDENTIAL

Description

THE INFORMATION CONTAINED IN THIS DRAWING IS THE SOLE PROPERTY OF INDUSTRIAL SPECIALTIES MFG. AND IS MED SPECIALITES. ANY REPRODUCTION IN PART OR AS A WHOLE WITHOUT THE WRITTEN PERMISSION OF INDUSTRIAL SPECIALTIES MFG. AND IS MED SPECIALITES IS PROHIBITED.

1/4" NPT Male Thread Non-Valved Plug Coupling,
1/4" Flow,
Chrome Plated Brass Body and Terminations,
Buna-N O-Ring Seal

NAME DATE

DRAWN BY: SCW 15-APR-2016

PART#

40CB-PB1-04

REV
1

SHEET 1 OF 3

SCALE 3 : 1

DO NOT SCALE DRAWING

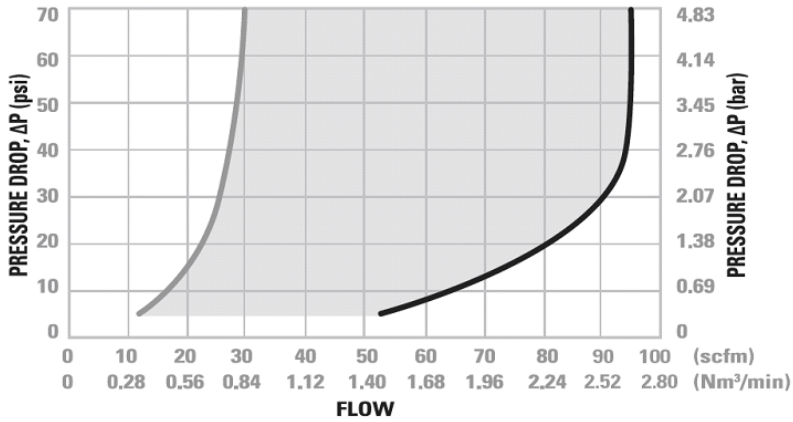


Industrial Specialties Mfg.
IS Med Specialties

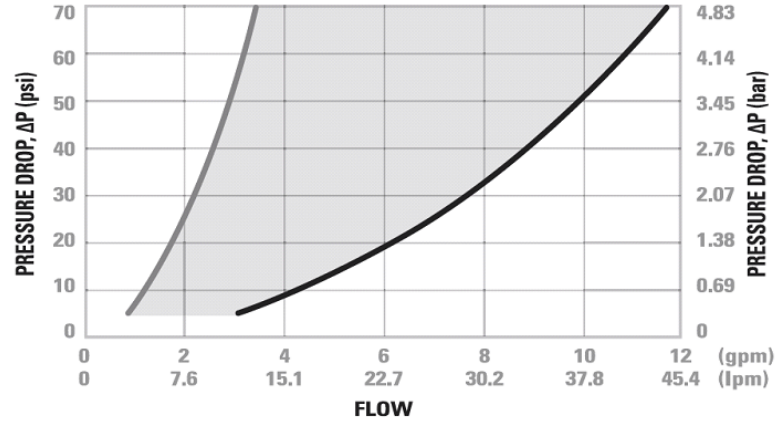
Specifications

Body and Termination Material	Chrome Plated Brass - FDA and NSF Food Contact Compliant
Seal Material Option	Buna-N O-ring - FDA and NSF Compliant for Food Contact O-rings lubricated with Dow Corning 200 food grade silicone oil.
Operating Pressure Range	Vacuum to 250 psi (17.3 bar)
Operating Temperature Range	-40° F to 180° F (-40° C to 82° C)
Flow Capacity	1/4" Size
Thread Size	1/4" NPT (American National Standard Taper Pipe Thread)
Compatibility Statement	<p>It is the sole responsibility of the system designer and user to select products suitable for their specific application requirements and to ensure proper installation, operation, and maintenance of these products.</p> <p>Material compatibility, product ratings and application details should be considered in the selection. Improper selection or use of products described herein can cause personal injury or product damage.</p>

40CB Series Air Flow



40CB Series Water Flow



Valved Socket & Plug



Valved & Non-Valved Coupling Set



Non-Valved Socket & Plug



Specific coupling combination flow rates can be determined by using this formula:

$$Q = C_v \times \text{SQRT}(\Delta P/S)$$

SQRT = Square root
 Q = Flow rate in gallons per minute
 C_v = Average flow rate (see chart)
 ΔP = Pressure drop across coupling (psi)
 S = Specific gravity of liquid

C_v Values for the 40CB-PB1-04

Non-Valved Male Thread Plug Coupling

Sockets:	40CBV-SB2-04	40CB-S2-04	40CBV-SB2-06	40CB-S2-06	40CBV-SB3-04	40CB-S3-04
40CB-PB1-04	0.79	0.95	0.95	1.40	0.79	0.95

Sockets:	40CBV-SB3-06	40CB-S3-06	40CBV-SB1-04	40CB-S1-04	40CBV-SB1-06	40CB-S1-06
40CB-PB1-04	0.95	1.40	0.80	1.40	0.97	1.40