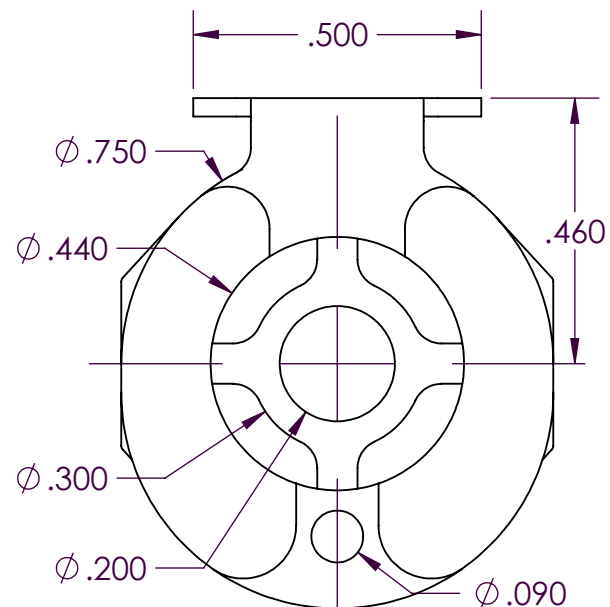
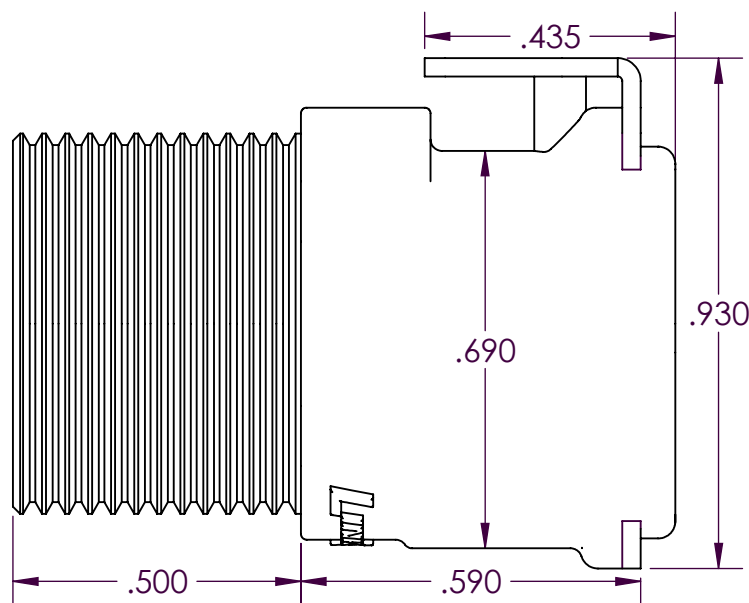


SCALE 2 : 1



PROPRIETARY AND CONFIDENTIAL

Description

THE INFORMATION CONTAINED IN THIS DRAWING IS THE SOLE PROPERTY OF INDUSTRIAL SPECIALTIES MFG. AND IS MED SPECIALITES. ANY REPRODUCTION IN PART OR AS A WHOLE WITHOUT THE WRITTEN PERMISSION OF INDUSTRIAL SPECIALTIES MFG. AND IS MED SPECIALITES IS PROHIBITED.

3/8" Male NPT, Valved Thumb-Latch Type Socket Coupling, 1/4" Flow, Natural Acetal Body and Terminations, Natural Acetal Internal Valve, Buna-N O-Ring Seal, Stainless Steel Thumb-Latch, Springs and Pins

NAME DATE
DRAWN BY: SCW 18-Mar-2015

PART#

40ACV-SB1-06

REV
1

SHEET 1 OF 3

SCALE 3:1

DO NOT SCALE DRAWING

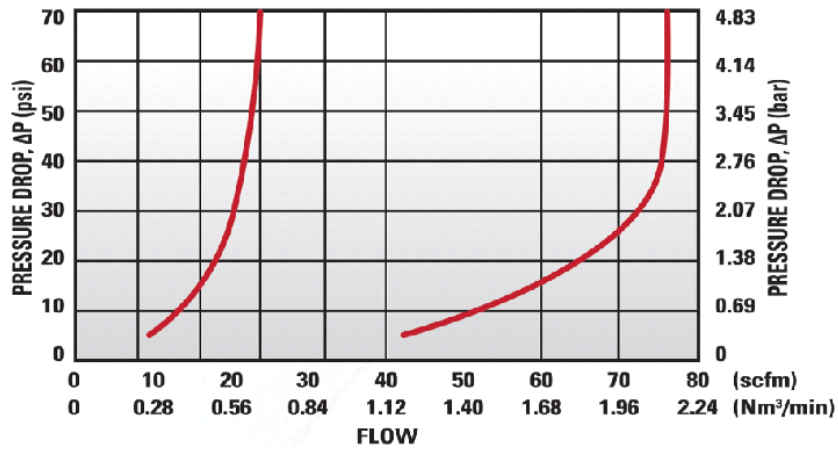


Industrial Specialties Mfg.
IS Med Specialties

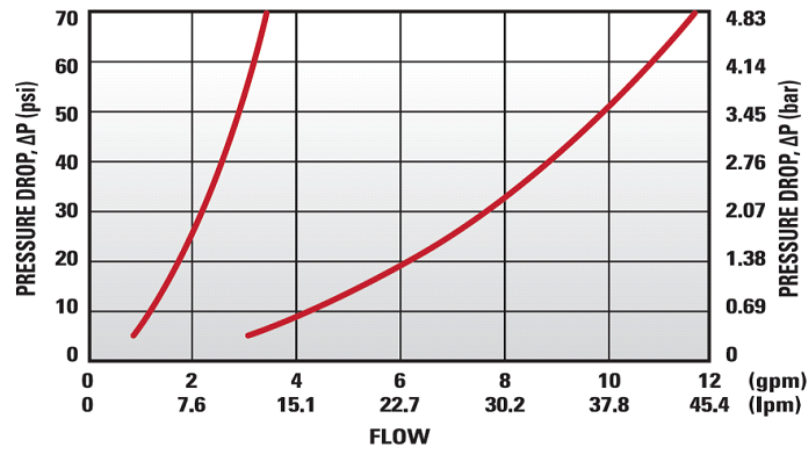
Specifications

Body and Termination Material	Natural Acetal (POM) - FDA and NSF Compliant for Food Contact
Seal Material Option	Buna-N O-ring - FDA and NSF Compliant for Food Contact O-rings lubricated with Dow Corning 200 food grade silicone oil.
Internal Valve Material	Natural Acetal (POM) - FDA and NSF Compliant for Food Contact
Internal Valve Spring Material	316 Stainless Steel
Thumb-latch Material	301 Stainless Steel
Thumb-latch Spring Material	304 Stainless Steel
Pin Material	316 Stainless Steel
Pin Spring Material	302 Stainless Steel
Operating Pressure Range	Vacuum to 120 psi (8.3 bar)
Operating Temperature Range	-40° F to 180° F (-40° C to 82° C)
Flow Capacity	1/4" Size
Thread Size	3/8" NPT
Compatibility Statement	<p>It is the sole responsibility of the system designer and user to select products suitable for their specific application requirements and to ensure proper installation, operation, and maintenance of these products.</p> <p>Material compatibility, product ratings and application details should be considered in the selection. Improper selection or use of products described herein can cause personal injury or product damage.</p>

40AC Series Air Flow



40AC Series Water Flow



Specific coupling combination flow rates can be determined by using this formula:

$$Q = C_v \times \text{SQRT}(\Delta P / S)$$

SQRT = Square root
 Q = Flow rate in gallons per minute
 C_v = Average flow rate (see chart)
 ΔP = Pressure drop across coupling (psi)
 S = Specific gravity of liquid

C_v Values for the 40ACV-SB1-06

Valved Male Thread Socket Coupling

40ACV-SB1-06	Plugs:					
	40ACV-PB2-04	40AC-PB2-04	40ACV-PB2-06	40AC-PB2-06	40ACV-PB9-04	40AC-PB9-04
	0.43	0.70	0.50	1.03	0.30	0.36

40ACV-SB1-06	Plugs:					
	40ACV-PB9-06	40AC-PB9-06	40ACV-PB1-04	40AC-PB1-04	40ACV-PB1-06	40AC-PB1-06
	0.70	0.48	0.45	0.97	0.48	1.00