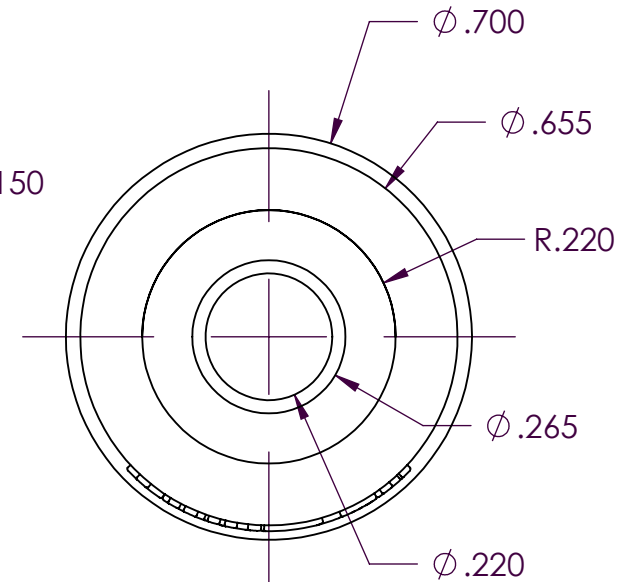
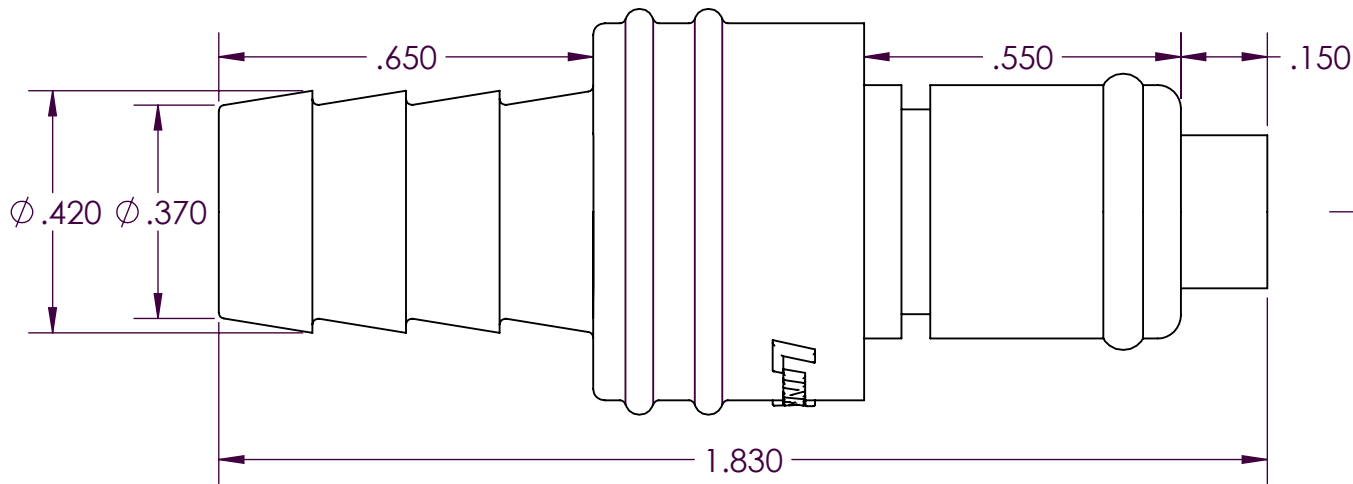
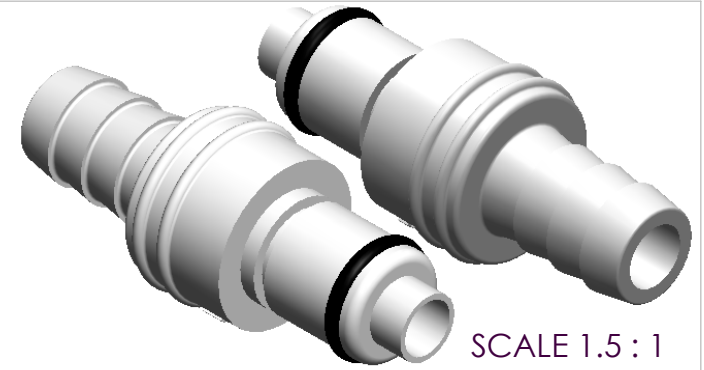


LEFT VIEW



PROPRIETARY AND CONFIDENTIAL

Description

THE INFORMATION CONTAINED IN THIS DRAWING IS THE SOLE PROPERTY OF INDUSTRIAL SPECIALTIES MFG. AND IS MED SPECIALITES. ANY REPRODUCTION IN PART OR AS A WHOLE WITHOUT THE WRITTEN PERMISSION OF INDUSTRIAL SPECIALTIES MFG. AND IS MED SPECIALITES IS PROHIBITED.

3/8" Hose Barb, Valved In-Line Hose Barb Plug Coupling, 1/4" Flow, Natural Acetal Body, Internal Valve and Terminations, Stainless Steel Internal Spring, Buna-N O-Ring Seals

NAME	DATE
DRAWN BY: SCW	11-MAR-2016

PART#	REV
40ACV-PB2-06	1

SHEET 1 OF 3

SCALE 3 : 1

DO NOT SCALE DRAWING

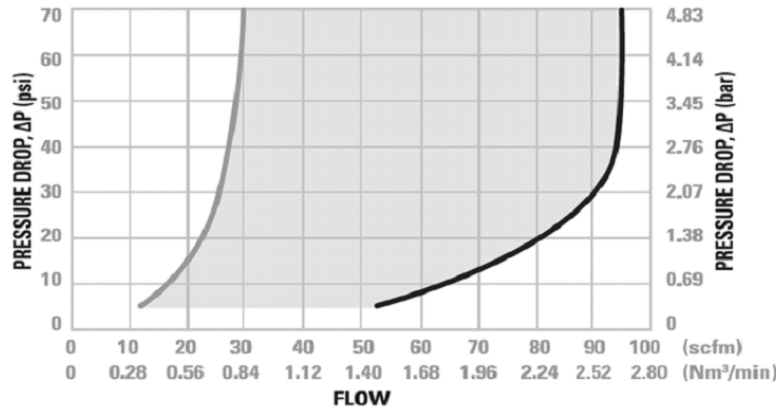


**Industrial Specialties Mfg.**  
IS Med Specialties

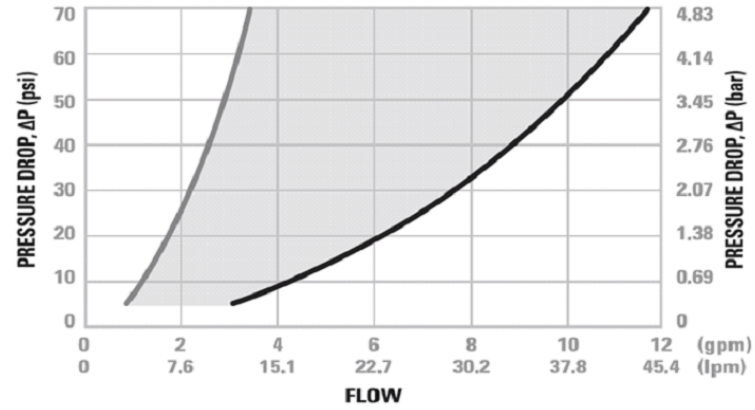
# Specifications

Body and Termination Material	Natural Acetal (POM) - FDA and NSF Compliant for Food Contact
Seal Material Option	Buna-N O-ring - FDA and NSF Compliant for Food Contact O-rings lubricated with Dow Corning 200 food grade silicone oil.
Internal Valve Material	Natural Acetal (POM) - FDA and NSF Compliant for Food Contact
Internal Valve Spring Material	316 Stainless Steel
Operating Pressure Range	Vacuum to 120 psi (8.3 bar)
Operating Temperature Range	-40° F to 180° F (-40° C to 82° C)
Flow Capacity	1/4" Size
Barb Size	3/8" ID Tube Size (9.5mm ID)
Compatibility Statement	<p>It is the sole responsibility of the system designer and user to select products suitable for their specific application requirements and to ensure proper installation, operation, and maintenance of these products.</p> <p>Material compatibility, product ratings and application details should be considered in the selection. Improper selection or use of products described herein can cause personal injury or product damage.</p>

### 40AC Series Air Flow



### 40AC Series Water Flow



These graphs are intended to give you a general idea of the performance capabilities of the product line.

Specific coupling combination flow rates can be determined by using this formula:	$Q = C_v \times \text{SQRT}(\Delta P/S)$
	SQRT = Square root
	Q = Flow rate in gallons per minute
	$C_v$ = Average flow rate (see chart)
	$\Delta P$ = Pressure drop across coupling (psi)
	S = Specific gravity of liquid

### $C_v$ Values for the 40ACV-PB2-06

#### Valved In-Line Hose Barb Plug Coupling

Sockets:	40ACV-SB2-04	40AC-S2-04	40ACV-SB2-06	40AC-S2-06	40ACV-SB3-04	40AC-SB3-04
40ACV-PB2-06	0.45	0.70	0.50	0.80	0.45	0.70

Sockets:	40ACV-SB3-06	40AC-S3-06	40ACV-SB1-04	40AC-S1-04	40ACV-SB1-06	40AC-S1-06
40ACV-PB2-06	0.50	0.80	0.50	0.83	0.50	0.82