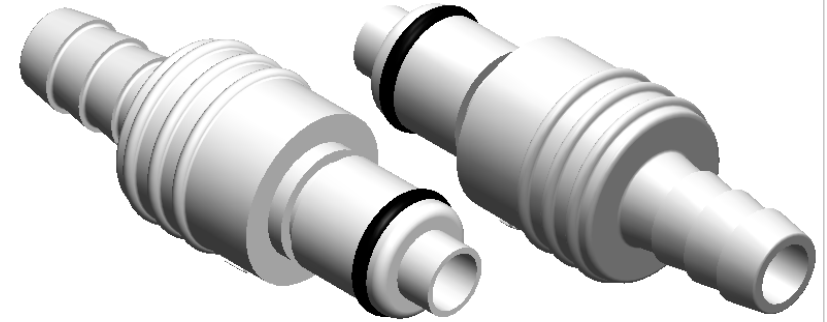
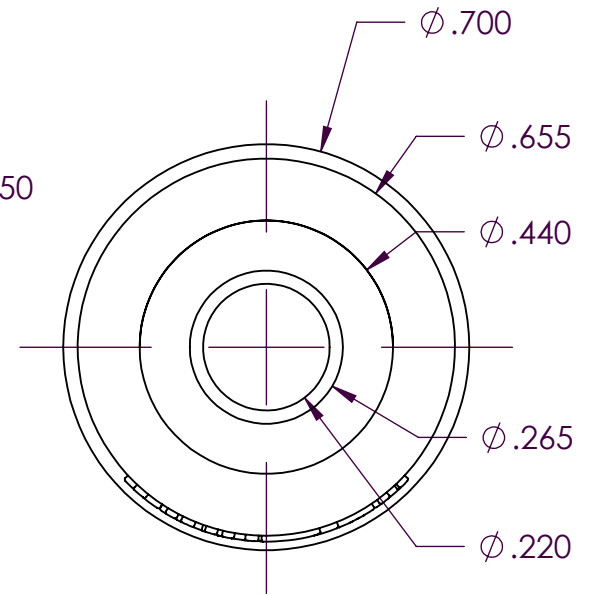
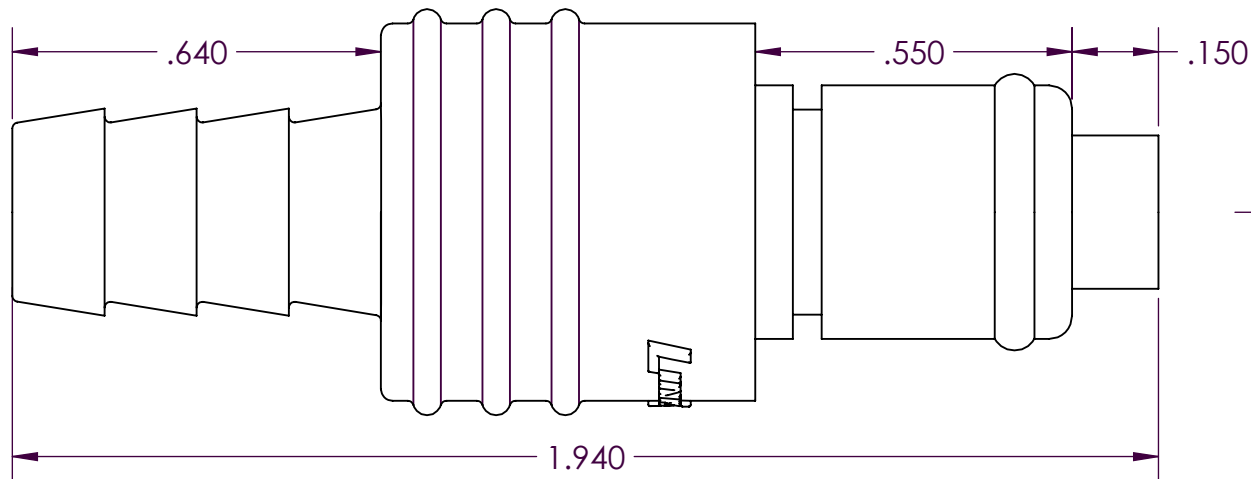


LEFT VIEW



SCALE 1.5 : 1



PROPRIETARY AND CONFIDENTIAL

Description

THE INFORMATION CONTAINED IN THIS DRAWING IS THE SOLE PROPERTY OF INDUSTRIAL SPECIALTIES MFG. AND IS MED SPECIALITES. ANY REPRODUCTION IN PART OR AS A WHOLE WITHOUT THE WRITTEN PERMISSION OF INDUSTRIAL SPECIALTIES MFG. AND IS MED SPECIALITES IS PROHIBITED.

5/16" Hose Barb, Valved In-Line Hose Barb Plug Coupling,  
1/4" Flow, Natural Acetal Body, Internal Valve and Terminations,  
Stainless Steel Internal Spring,  
Buna-N O-Ring Seals

NAME	DATE
SCW	11-MAR-2016

PART#	REV
40ACV-PB2-05	1

SHEET 1 OF 3

SCALE 3 : 1

DO NOT SCALE DRAWING

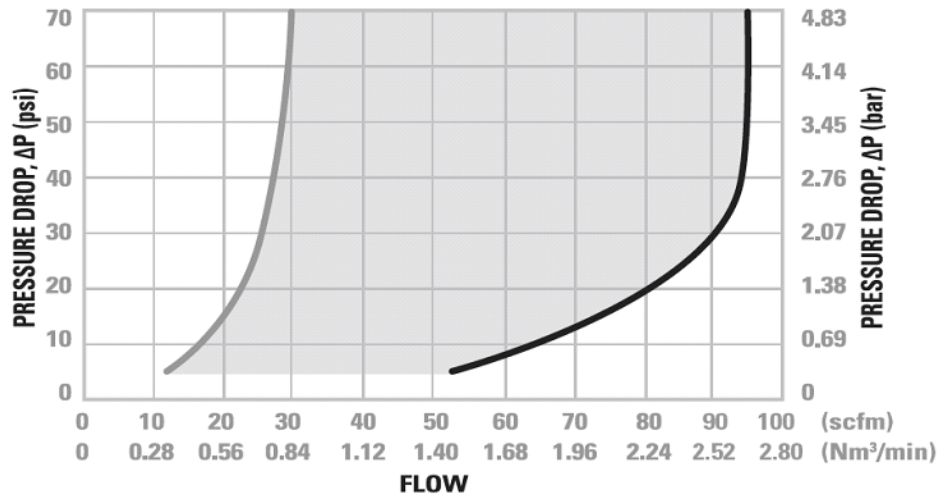


**Industrial Specialties Mfg.**  
**IS Med Specialties**

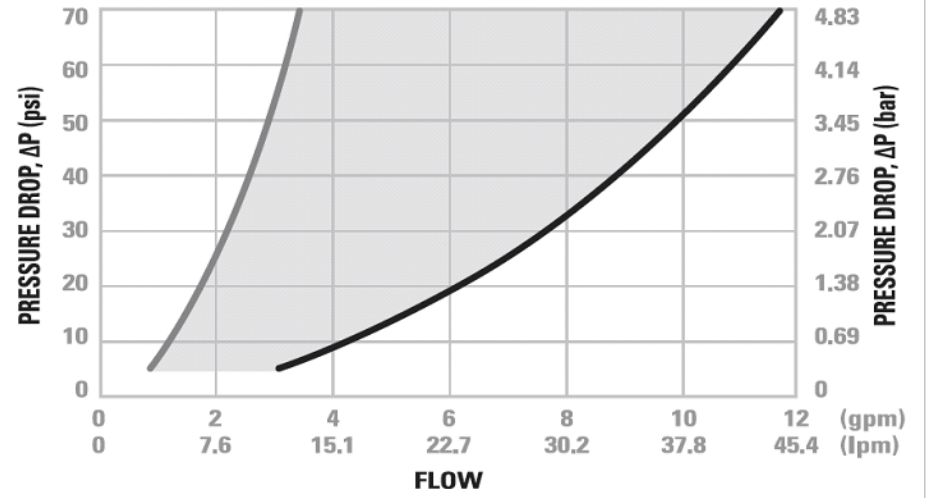
# Specifications

Body and Termination Material	Natural Acetal (POM) - FDA and NSF Compliant for Food Contact
Seal Material Option	Buna-N O-ring - FDA and NSF Compliant for Food Contact O-rings lubricated with Dow Corning 200 food grade silicone oil.
Internal Valve Material	Natural Acetal (POM) - FDA and NSF Compliant for Food Contact
Internal Valve Spring Material	316 Stainless Steel
Operating Pressure Range	Vacuum to 120 psi (8.3 bar)
Operating Temperature Range	-40° F to 180° F (-40° C to 82° C)
Flow Capacity	1/4" Size
Barb Size	5/16" ID Tube Size (7.9mm ID)
Compatibility Statement	<p>It is the sole responsibility of the system designer and user to select products suitable for their specific application requirements and to ensure proper installation, operation, and maintenance of these products.</p> <p>Material compatibility, product ratings and application details should be considered in the selection. Improper selection or use of products described herein can cause personal injury or product damage.</p>

### 40AC Series Air Flow



### 40AC Series Water Flow



These graphs are intended to give you a general idea of the performance capabilities of the product line.