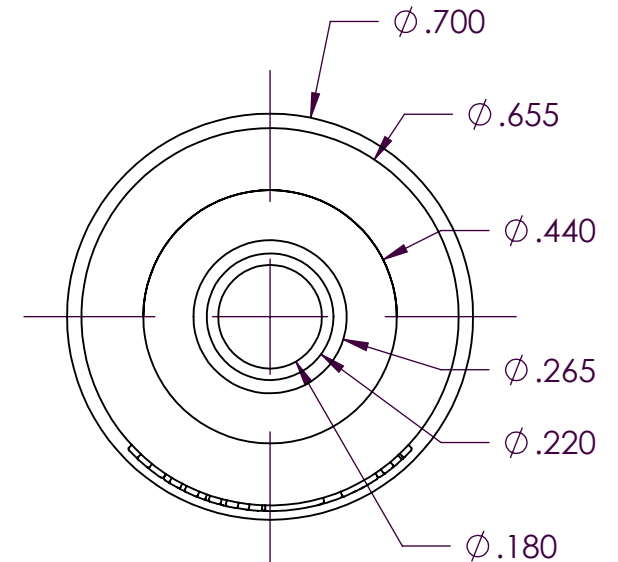
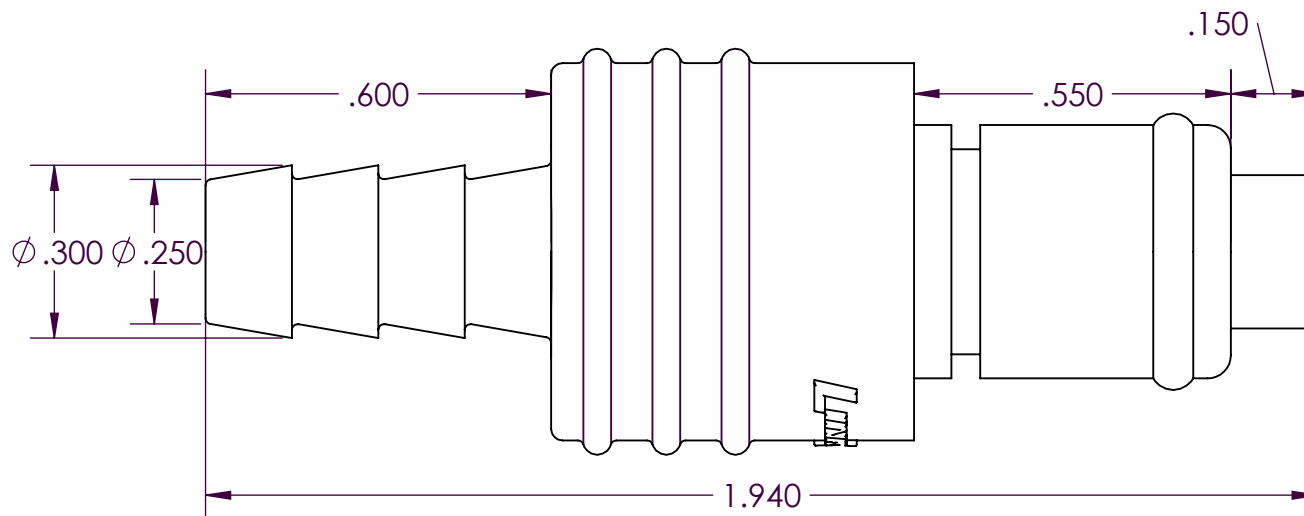


SCALE 1.5 : 1



PROPRIETARY AND CONFIDENTIAL

Description

THE INFORMATION CONTAINED IN THIS DRAWING IS THE SOLE PROPERTY OF INDUSTRIAL SPECIALTIES MFG. AND IS MED SPECIALITES. ANY REPRODUCTION IN PART OR AS A WHOLE WITHOUT THE WRITTEN PERMISSION OF INDUSTRIAL SPECIALTIES MFG. AND IS MED SPECIALITES IS PROHIBITED.

1/4" Hose Barb, Valved In-Line Hose Barb Plug Coupling,
1/4" Flow, Natural Acetal Body, Internal Valve and Terminations,
Stainless Steel Internal Spring,
Buna-N O-Ring Seals

NAME	DATE
DRAWN BY: SCW	11-Mar-2016

PART#

40ACV-PB2-04

REV
1

SHEET 1 OF 3

SCALE 3 : 1

DO NOT SCALE DRAWING



Industrial Specialties Mfg.
IS Med Specialties

5

4

3

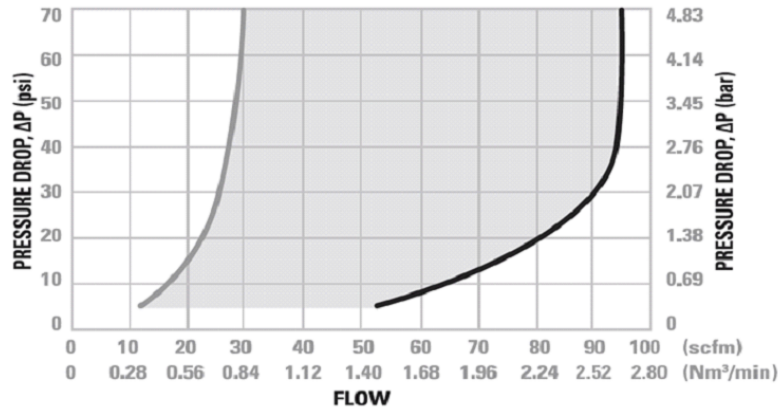
2

1

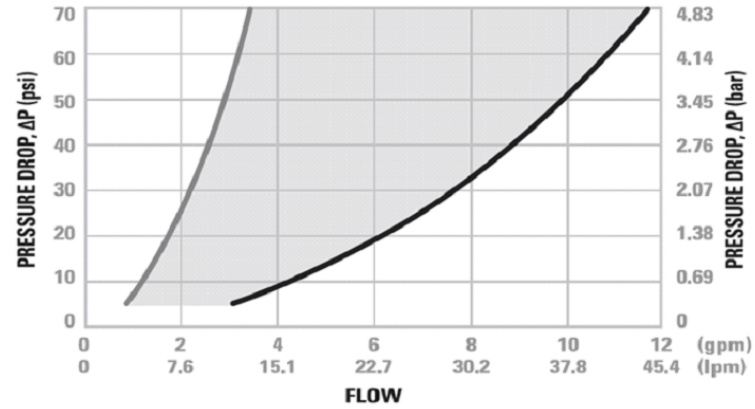
Specifications

Body and Termination Material	Natural Acetal (POM) - FDA and NSF Compliant for Food Contact
Seal Material Option	Buna-N O-ring - FDA and NSF Compliant for Food Contact O-rings lubricated with Dow Corning 200 food grade silicone oil.
Internal Valve Material	Natural Acetal (POM) - FDA and NSF Compliant for Food Contact
Internal Valve Spring Material	316 Stainless Steel
Operating Pressure Range	Vacuum to 120 psi (8.3 bar)
Operating Temperature Range	-40° F to 180° F (-40° C to 82° C)
Flow Capacity	1/4" Size
Barb Size	1/4" ID Tube Size (6.4mm ID)
Compatibility Statement	<p>It is the sole responsibility of the system designer and user to select products suitable for their specific application requirements and to ensure proper installation, operation, and maintenance of these products.</p> <p>Material compatibility, product ratings and application details should be considered in the selection. Improper selection or use of products described herein can cause personal injury or product damage.</p>

40AC Series Air Flow



40AC Series Water Flow



These graphs are intended to give you a general idea of the performance capabilities of the product line.

<p>Specific coupling combination flow rates can be determined by using this formula:</p>	$Q = C_v \times \text{SQRT}(\Delta P/S)$ <p>SQRT = Square root Q = Flow rate in gallons per minute C_v = Average flow rate (see chart) ΔP = Pressure drop across coupling (psi) S = Specific gravity of liquid</p>
--	--

C_v Values for the 40ACV-PB2-04

Valved In-Line Hose Barb Plug Coupling

Sockets:	40ACV-SB2-04	40AC-S2-04	40ACV-SB2-06	40AC-S2-06	40ACV-SB3-04	40AC-SB3-04
40ACV-PB2-04	0.42	0.52	0.43	0.53	0.42	0.52

Sockets:	40ACV-SB3-06	40AC-S3-06	40ACV-SB1-04	40AC-S1-04	40ACV-SB1-06	40AC-S1-06
40ACV-PB2-04	0.43	0.53	0.41	0.56	0.43	0.57