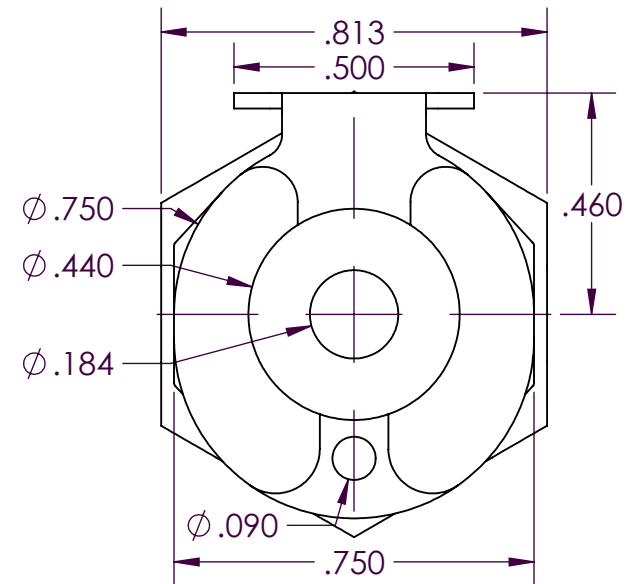
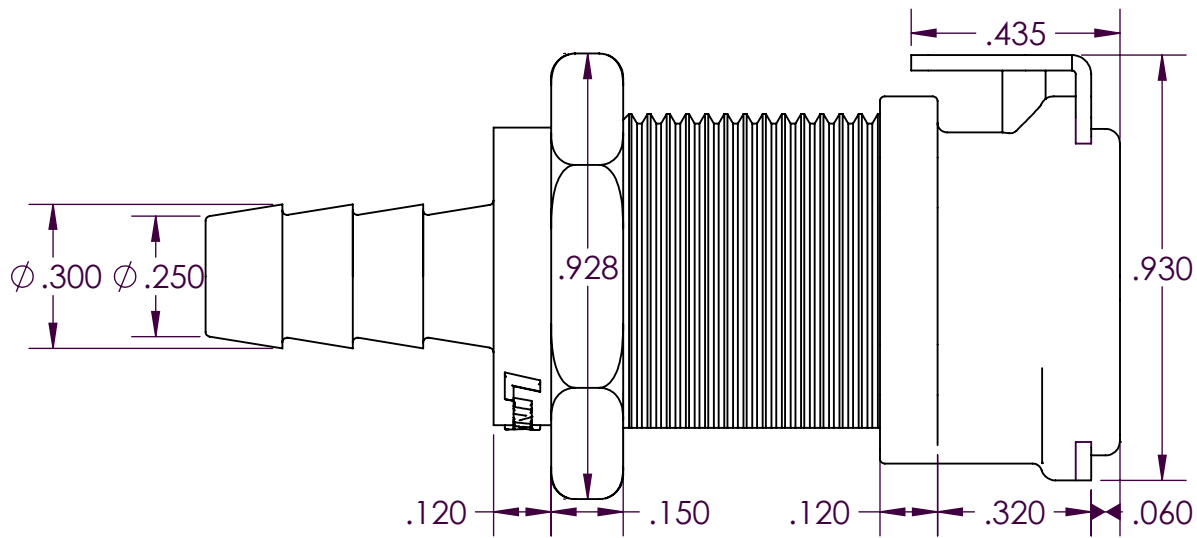


SCALE 1.5 : 1



PROPRIETARY AND CONFIDENTIAL

Description

THE INFORMATION CONTAINED IN THIS DRAWING IS THE SOLE PROPERTY OF INDUSTRIAL SPECIALTIES MFG. AND IS MED SPECIALITES. ANY REPRODUCTION IN PART OR AS A WHOLE WITHOUT THE WRITTEN PERMISSION OF INDUSTRIAL SPECIALTIES MFG. AND IS MED SPECIALITES IS PROHIBITED.

1/4" Inch Hose Barb, Non-Valved Panel Mount Hose Barb Thumb-Latch Type Socket Coupling, 1/4" Flow, Natural Acetal Body and Terminations, Stainless Steel Thumb-Latch, External Springs and Pins, Nickel Plated Brass Panel Nut

NAME DATE
DRAWN BY: SCW 06-Apr-2015

PART# REV
40AC-S3-04 1

SHEET 1 OF 3

SCALE 2.5:1

DO NOT SCALE DRAWING



Industrial Specialties Mfg.
IS Med Specialties

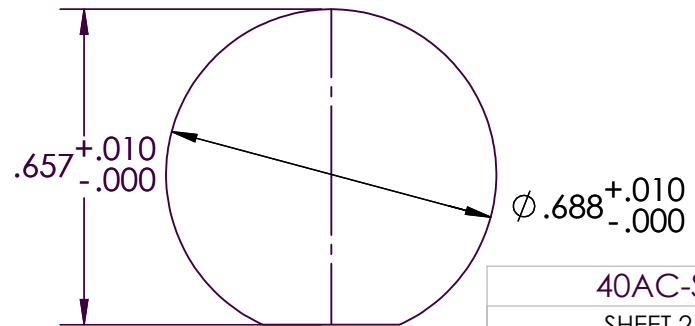
Specifications

Body and Termination Material	Natural Acetal (POM) - FDA and NSF Compliant for Food Contact
Thumb-latch Material	301 Stainless Steel
Thumb-latch Spring Material	304 Stainless Steel
Pin Material	316 Stainless Steel
Pin Spring Material	302 Stainless Steel
Panel Mount Nut	13/16" 11/16"-24UNS Electrodeposited Nickel Plated Brass
Operating Pressure Range	Vacuum to 120 psi (8.3 bar)
Operating Temperature Range	-40° F to 180° F (-40° C to 82° C)
Flow Capacity	1/4" Size
Barb Size	1/4", 6.4mm
Compatibility Statement	<p>It is the sole responsibility of the system designer and user to select products suitable for their specific application requirements and to ensure proper installation, operation, and maintenance of these products.</p> <p>Material compatibility, product ratings and application details should be considered in the selection. Improper selection or use of products described herein can cause personal injury or product damage.</p>

Panel Mount Dimensions

	PANEL OPENING	MAX PANEL THICKNESS	MIN PANEL THICKNESS
SOCKETS	See Drawing	0.5"	0.05"
PLUGS	0.688	0.3"	0.05"

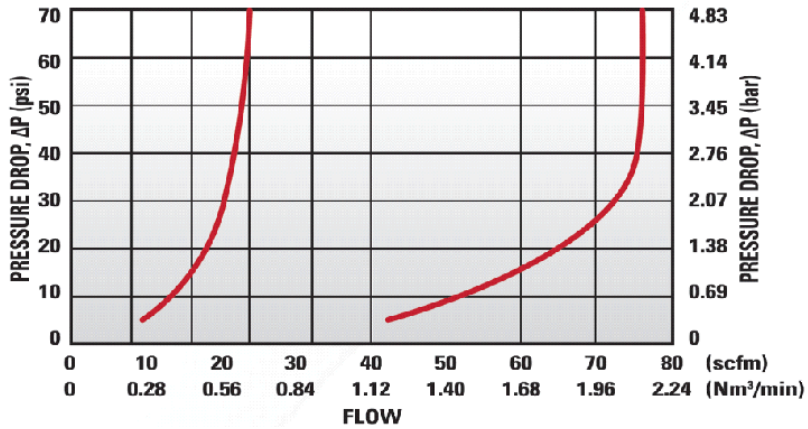
PANEL NUT HEX SIZE	PANEL NUT THREAD
13/16"	11/16" - 24UNS



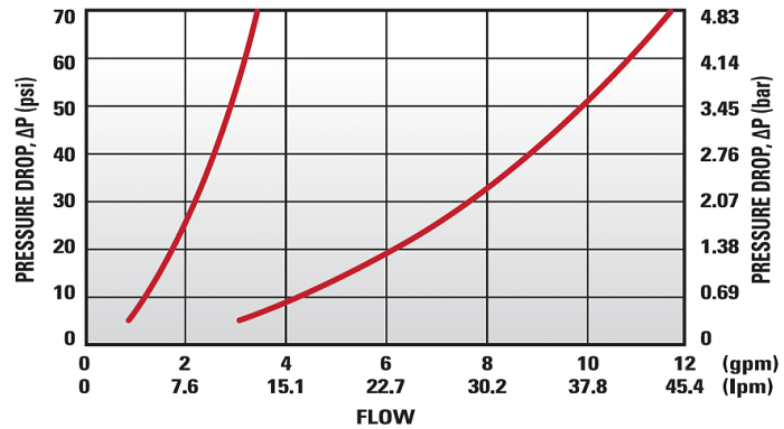
40AC-S3-04

SHEET 2 OF 3

40AC Series Air Flow



40AC Series Water Flow



Specific coupling combination flow rates can be determined by using this formula:

$$Q = C_v \times \text{SQRT}(\Delta P / S)$$

SQRT = Square root
 Q = Flow rate in gallons per minute
 C_v = Average flow rate (see chart)
 ΔP = Pressure drop across coupling (psi)
 S = Specific gravity of liquid

C_v Values for the 40AC-S3-04 Non-Valved Panel Mount Hose Barb Socket Coupling

Plugs:	40ACV-	40AC-	40ACV-	40AC-	40ACV-	40AC-
	PB2-04	PB2-04	PB2-06	PB2-06	PB9-04	PB9-04
40AC-S3-04	0.52	0.95	0.70	1.00	0.38	0.39

Plugs:	40ACV-	40AC-	40ACV-	40AC-	40ACV-	40AC-
	PB9-06	PB9-06	PB1-04	PB1-04	PB1-06	PB1-06
40AC-S3-04	0.55	0.87	0.65	0.95	0.65	1.00