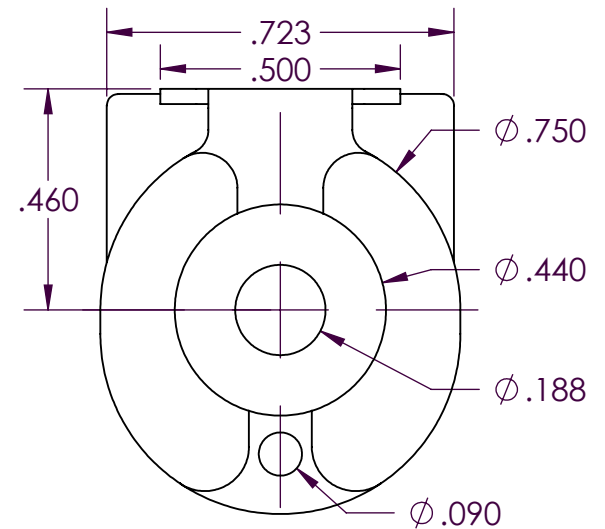
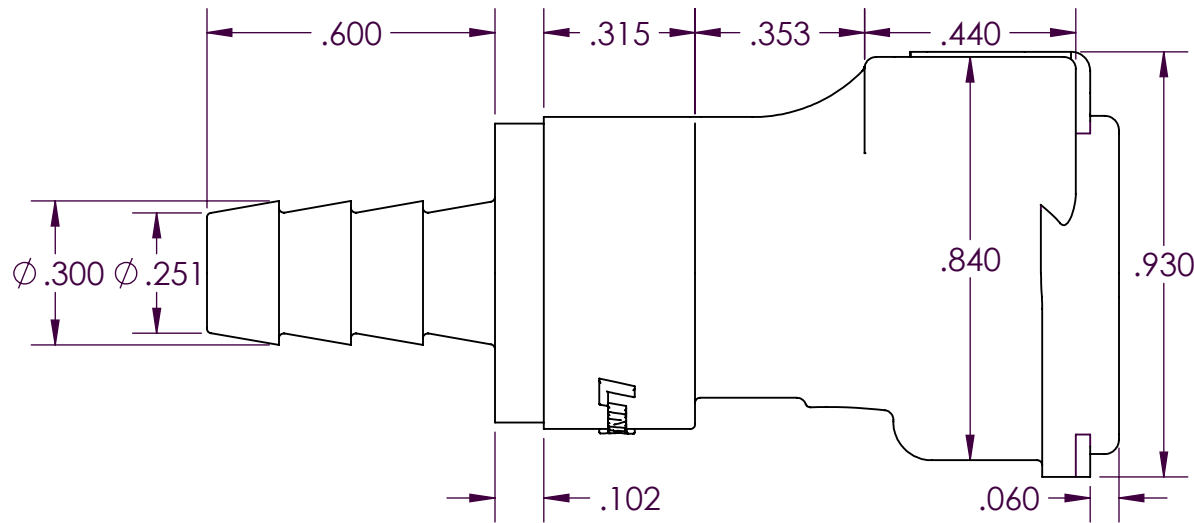


SCALE 1.5 : 1



PROPRIETARY AND CONFIDENTIAL

Description

THE INFORMATION CONTAINED IN THIS DRAWING IS THE SOLE PROPERTY OF INDUSTRIAL SPECIALTIES MFG. AND IS MED SPECIALITES. ANY REPRODUCTION IN PART OR AS A WHOLE WITHOUT THE WRITTEN PERMISSION OF INDUSTRIAL SPECIALTIES MFG. AND IS MED SPECIALITES IS PROHIBITED.

1/4" Hose Barb, Non-Valved In-Line Hose Barb Socket Thumb-Latch Type Coupling, 1/4" Flow, Natural Acetal Body and Terminations, Stainless Steel Thumb-Latch, External Springs and Pins

NAME DATE
DRAWN BY: SCW 30-Mar-2015

PART# REV
40AC-S2-04 1

SHEET 1 OF 3

SCALE 2.5:1

DO NOT SCALE DRAWING

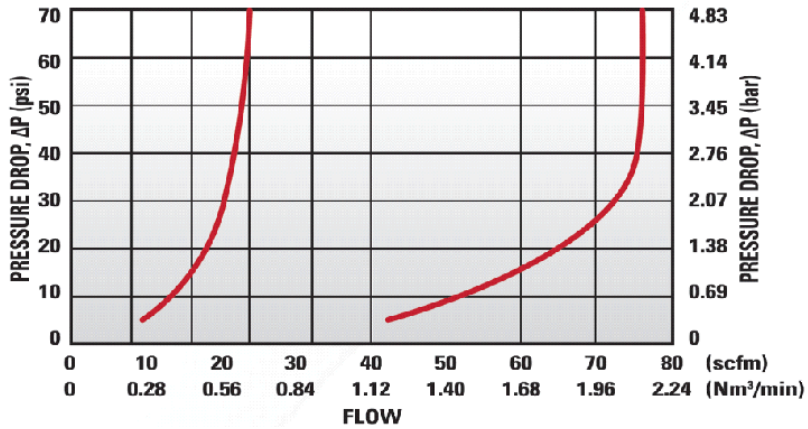


Industrial Specialties Mfg.
IS Med Specialties

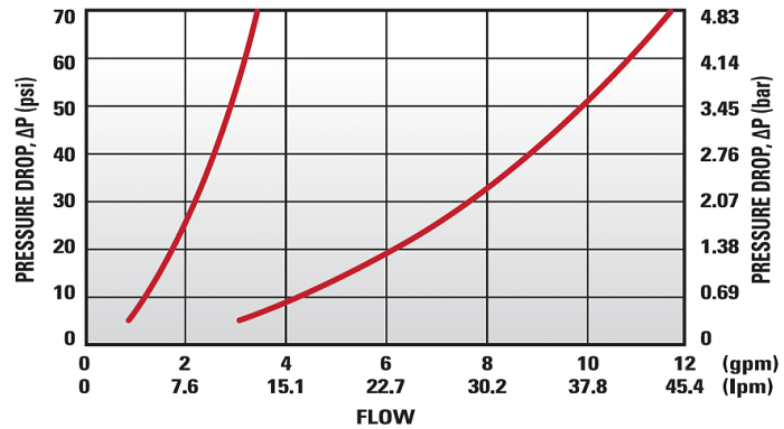
Specifications

Body and Termination Material	Natural Acetal (POM) - FDA and NSF Compliant for Food Contact
Thumb-latch Material	301 Stainless Steel
Thumb-latch Spring Material	304 Stainless Steel
Pin Material	316 Stainless Steel
Pin Spring Material	302 Stainless Steel
Operating Pressure Range	Vacuum to 120 psi (8.3 bar)
Operating Temperature Range	-40° F to 180° F (-40° C to 82° C)
Flow Capacity	1/4" Size
Barb Size	1/4" ID, 6.4mm ID
Compatibility Statement	<p>It is the sole responsibility of the system designer and user to select products suitable for their specific application requirements and to ensure proper installation, operation, and maintenance of these products.</p> <p>Material compatibility, product ratings and application details should be considered in the selection. Improper selection or use of products described herein can cause personal injury or product damage.</p>

40AC Series Air Flow



40AC Series Water Flow



Specific coupling combination flow rates can be determined by using this formula:

$$Q = C_v \times \text{SQRT}(\Delta P / S)$$

SQRT = Square root
 Q = Flow rate in gallons per minute
 C_v = Average flow rate (see chart)
 ΔP = Pressure drop across coupling (psi)
 S = Specific gravity of liquid

C_v Values for the 40AC-S2-04

Non-Valved In-Line Hose Barb Socket Coupling

Plugs:	40ACV- PB2-04	40AC- PB2-04	40ACV- PB2-06	40AC- PB2-06	40ACV- PB9-04	40AC- PB9-04
40AC-S2-04	0.52	0.95	0.70	1.00	0.38	0.39

Plugs:	40ACV- PB9-06	40AC- PB9-06	40ACV- PB1-04	40AC- PB1-04	40ACV- PB1-06	40AC- PB1-06
40AC-S2-04	0.55	0.87	0.65	0.95	0.65	1.00