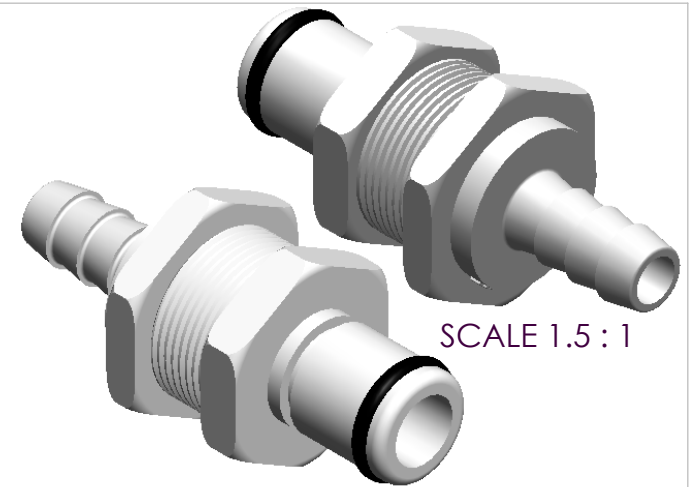
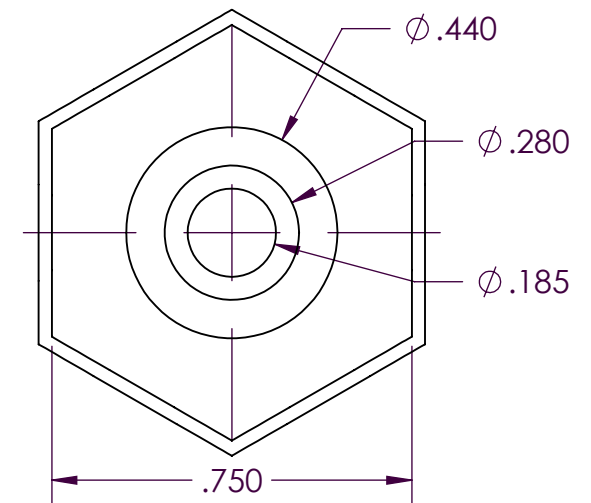
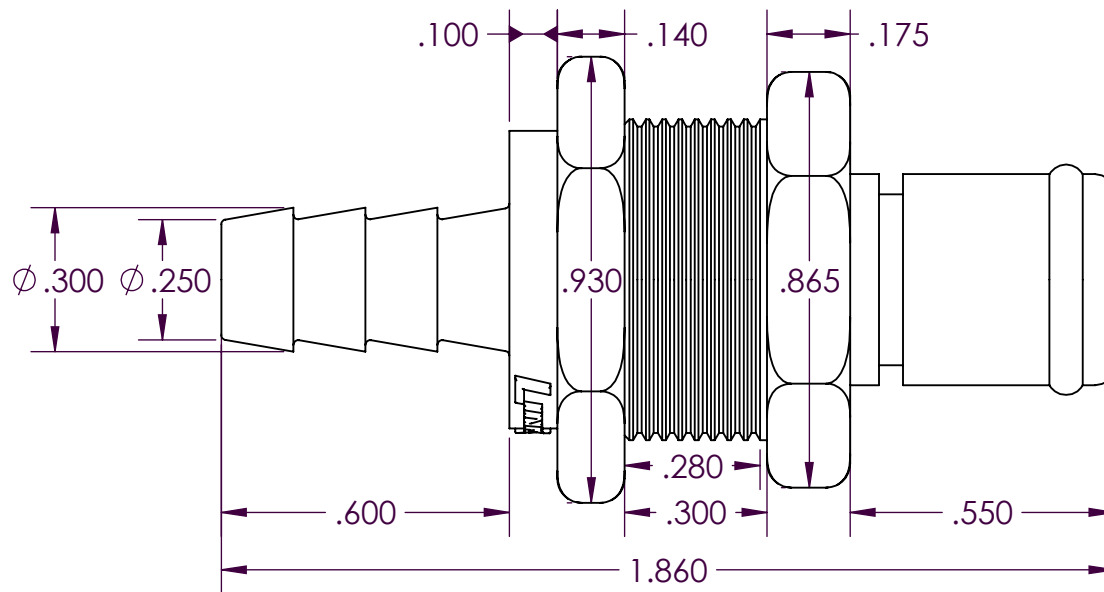


LEFT VIEW



SCALE 1.5 : 1



PROPRIETARY AND CONFIDENTIAL

Description

THE INFORMATION CONTAINED IN THIS DRAWING IS THE SOLE PROPERTY OF INDUSTRIAL SPECIALTIES MFG. AND IS MED SPECIALITES. ANY REPRODUCTION IN PART OR AS A WHOLE WITHOUT THE WRITTEN PERMISSION OF INDUSTRIAL SPECIALTIES MFG. AND IS MED SPECIALITES IS PROHIBITED.

1/4" Hose Barb, Non-Valved Panel Mount
Hose Barb Plug Coupling,
1/4" Flow, Natural Acetal Body, and Terminations,
Nickel Plated Brass Panel Nut,
Buna-N O-Ring Seal

NAME DATE
DRAWN BY: SCW 15-MAR-2016

PART# 40AC-PB3-04 REV 1

SHEET 1 OF 3
SCALE 2.5 : 1



DO NOT SCALE DRAWING

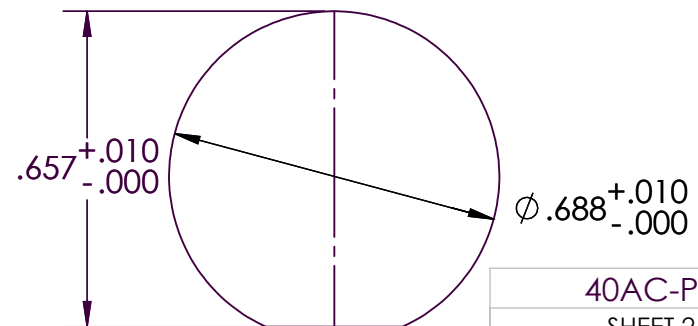
Specifications

Body and Termination Material	Natural Acetal (POM) - FDA and NSF Compliant for Food Contact
Seal Material Option	Buna-N O-ring - FDA and NSF Compliant for Food Contact O-rings lubricated with Dow Corning 200 food grade silicone oil.
Panel Mount Nut	13/16" 11/16"-24UNS Electrodeposited Nickel Plated Brass
Operating Pressure Range	Vacuum to 120 psi (8.3 bar)
Operating Temperature Range	-40° F to 180° F (-40° C to 82° C)
Flow Capacity	1/4" Size
Barb Size	1/4" ID Tube Size (6.4mm ID)
Compatibility Statement	<p>It is the sole responsibility of the system designer and user to select products suitable for their specific application requirements and to ensure proper installation, operation, and maintenance of these products.</p> <p>Material compatibility, product ratings and application details should be considered in the selection. Improper selection or use of products described herein can cause personal injury or product damage.</p>

Panel Mount Dimensions

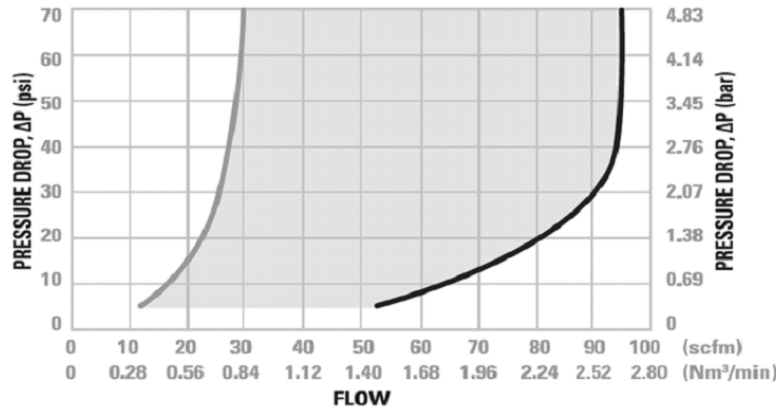
	PANEL OPENING	MAX PANEL THICKNESS	MIN PANEL THICKNESS
SOCKETS	See Drawing	0.5"	0.05"
PLUGS	0.688	0.3"	0.05"

PANEL NUT HEX SIZE	PANEL NUT THREAD
13/16"	11/16" - 24UNS

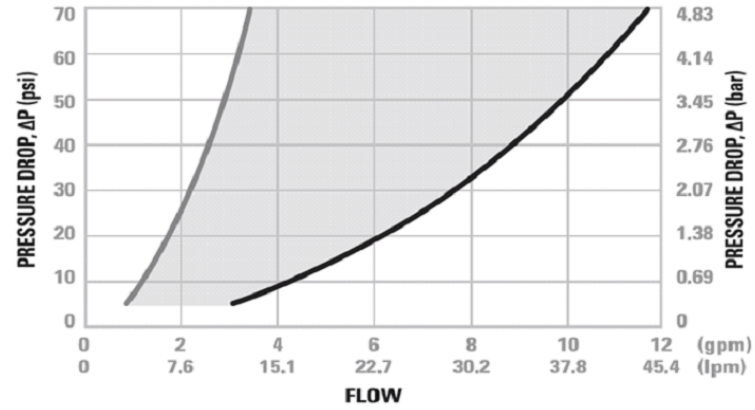


40AC-PB3-04
SHEET 2 OF 3

40AC Series Air Flow



40AC Series Water Flow



These graphs are intended to give you a general idea of the performance capabilities of the product line.

<p>Specific coupling combination flow rates can be determined by using this formula:</p>	$Q = C_v \times \text{SQRT}(\Delta P/S)$ <p>SQRT = Square root Q = Flow rate in gallons per minute C_v = Average flow rate (see chart) ΔP = Pressure drop across coupling (psi) S = Specific gravity of liquid</p>
--	--

C_v Values for the 40AC-PB3-04

Non-Valved Panel Mount Hose Barb Plug Coupling

Sockets:	40ACV-SB2-04	40AC-S2-04	40ACV-SB2-06	40AC-S2-06	40ACV-SB3-04	40AC-SB3-04
40AC-PB3-04	0.58	0.95	0.63	0.95	0.58	0.95

Sockets:	40ACV-SB3-06	40AC-S3-06	40ACV-SB1-04	40AC-S1-04	40ACV-SB1-06	40AC-S1-06
40AC-PB3-04	0.63	0.95	0.65	0.84	0.70	0.84