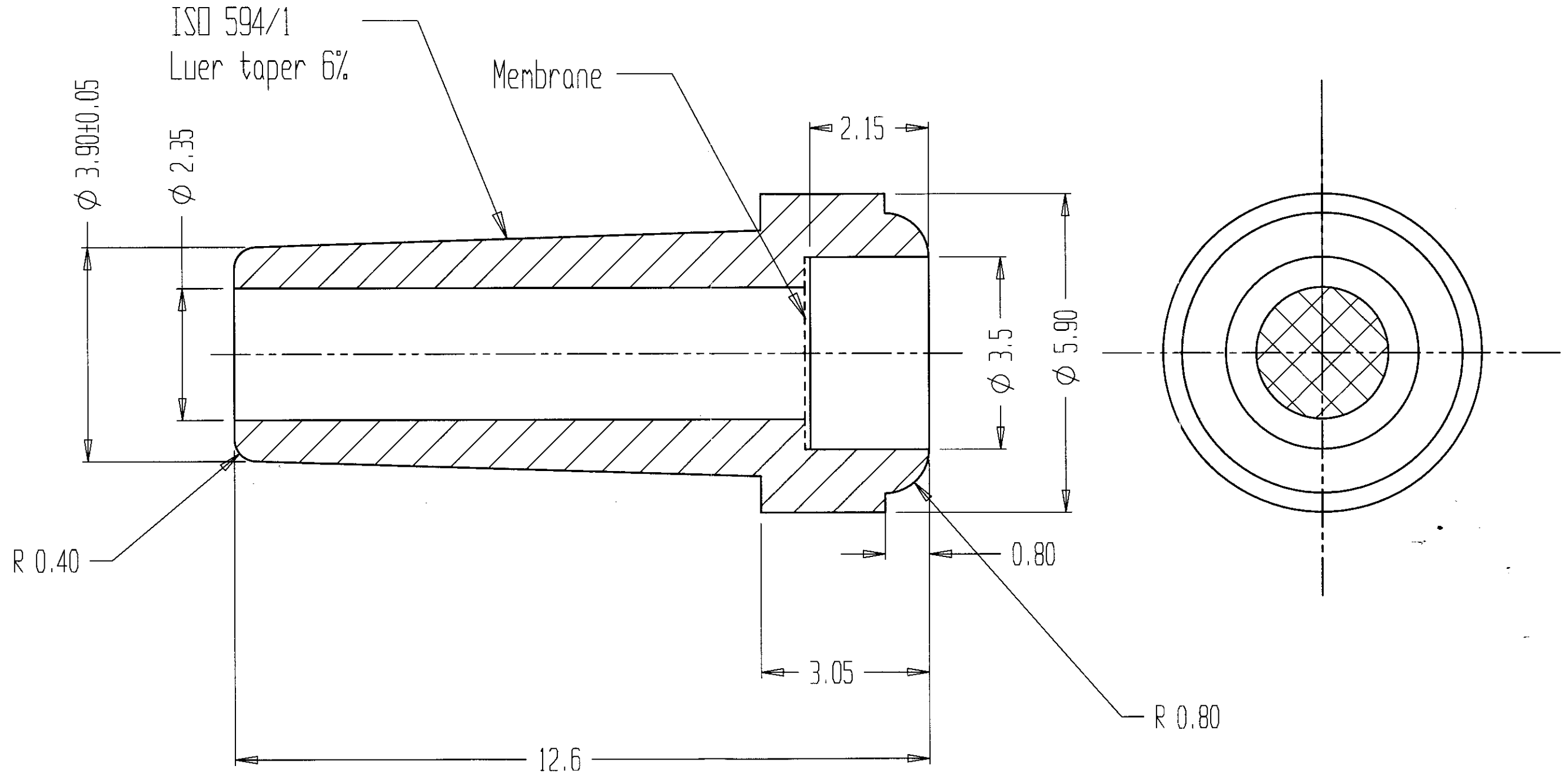


MASTER COPY



Screen : Versapor V800R
Resin : HC 101 BF
Masterbatch: N/A

20-03-02	Changed Resin from HC001F to HC001F	Third Angle Projection	THIS DRAWING CONTAINS INFORMATION THAT IS PROPRIETARY TO FILTERTEK AND SHOULD NOT BE USED WITHOUT WRITTEN PERMISSION		
20-03-02	Changed Screen from W000H to W000R	TOLERANCES UNLESS SPECIFIED ANGULAR ±0.5°	Drawn by: A Moussalli		
21-05-98	Modified dims to suit customer.	DINCH METRIC	Checked by: J Riordan.		
30-07-99	Removed customer names	X.XXX ±0.0025 ±0.05	Title: STANDARD VENT PLUG		
30-07-99	Redrawn on CADKEY	X.XX ±0.005 ±0.1	Date: 06-10-93		
12-06-05	Added customer names.	X.X ±0.01 ±0.2	Scale: 10:1		
20-01-94	Added 6% taper	X ±0.02 ±0.4	FILTRATEK BY: 4750000		
REV	DESCRIPTION		Part No: 4750000		
			Sheet 1 of 1		
			A3		