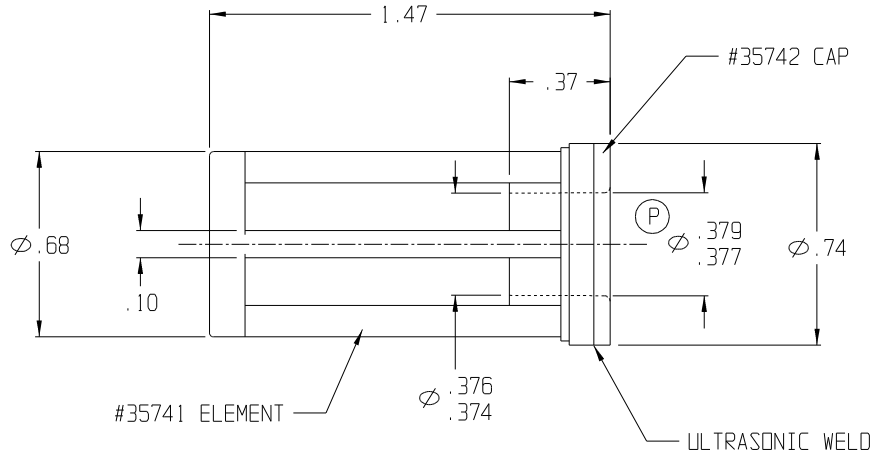
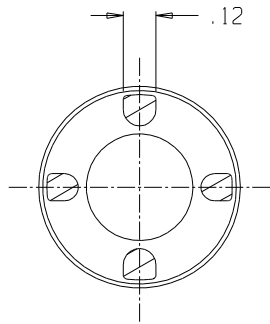


F.I. PART NO.  
35740



DATE	LET	DESCRIPTION	BY	APP
1-17-94	Q	TWO PLACE TOLERANCE WAS ±.01	BPR	
8-26-93	P	REV 35742 PER PART DWG	SGM	
6-2-93	N	ADDED .379/.377 DIAMETER DIM.	SGM	
3-17-82	M	REDRAWN ON CADKEY	GB	
2-23-73	L	.120 WAS .080	GB	
9-27-72	K	WAS .330	GB	
8-16-72	J	WAS .250	GB	
8-4-72	H2	WAS .378/.376	GB	
4-7-72	H1	WAS .373/.371	GB	
3-29-72	G	REMOVED NOTE	GB	
3-16-72	F	WAS .378/.375	GB	
1-6-72	E2	ADDED .680 DIAMETER	GB	
9-21-71	E1	.13 WAS .09	GB	
	D	ADDED WELD BEAD	GB	
	C	REDESIGNED AND REDRAWN	GB	
		WAS		
FILTERTEK REVISIONS				

UNITS ARE IN: INCHES

File Server No. 0035740.PRT

This print and all information thereon is confidential and remains the property of Filtrertek  
Copyright © 1971 Filtrertek



**FILTERTEK INC.** 11411 PRICE ROAD, HEBRON ILLINOIS 60034

FRAME SPEC.		PART NAME		STRAINER OUTLET	
NYLON 6 GF HS BLACK		SHT NO	1 of 1	DATE	4-14-71
SCREEN SPEC.		EXP NO	--	SCALE	2:1
NYLON 6/6 150 MICRONS				DRAWN	GWB
CUST. PART NO.	REV.	TOLERANCE ON DIMENSION UNLESS OTHERWISE SPECIFIED:			PART NUMBER
--	--	ENGLISH: TWO PLACE DIM ±.02 THREE PLACE DIM: ±.005			35740
CUST. NAME	DATE	METRIC: ONE PLACE DIM ±0.3 TWO PLACE DIM: ±0.13			
--	---	ANGULAR: ±2°			