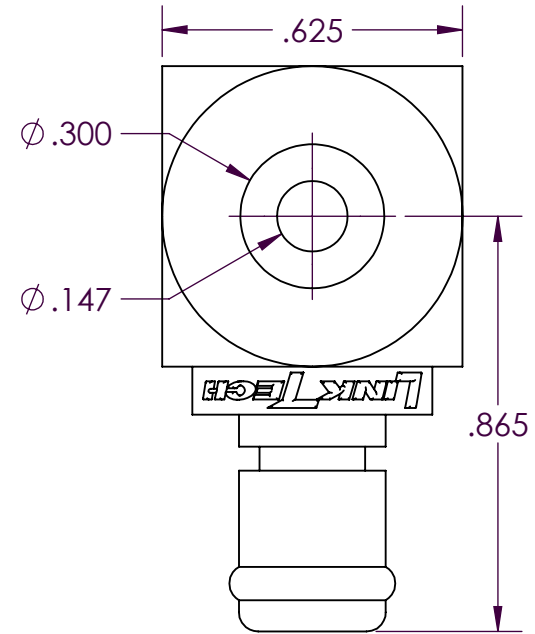
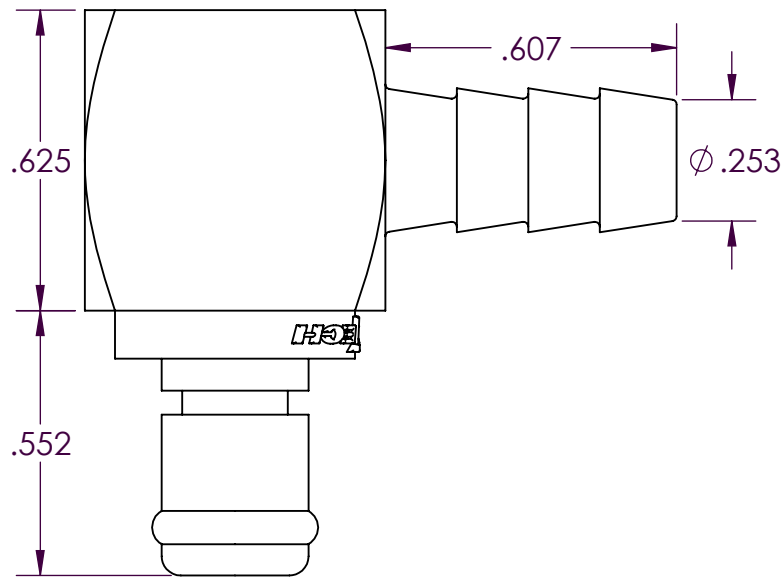


SCALE 1.5 : 1



PROPRIETARY AND CONFIDENTIAL

Description

THE INFORMATION CONTAINED IN THIS DRAWING IS THE SOLE PROPERTY OF INDUSTRIAL SPECIALTIES MFG. AND IS MED SPECIALITES. ANY REPRODUCTION IN PART OR AS A WHOLE WITHOUT THE WRITTEN PERMISSION OF INDUSTRIAL SPECIALTIES MFG. AND IS MED SPECIALITES IS PROHIBITED.

1/4" Hose Barb,
Non-Valved Elbow Hose Barb Plug Coupling,
1/8" Flow,
Chrome Plated Brass Body and Terminations,
Buna-N O-Ring Seal

NAME DATE
DRAWN BY: SCW 09-Mar-2015

PART#

20CB-PB4-04

REV
1

SHEET 1 OF 3

SCALE 2.5:1

DO NOT SCALE DRAWING



Industrial Specialties Mfg.
IS Med Specialties

5

4

3

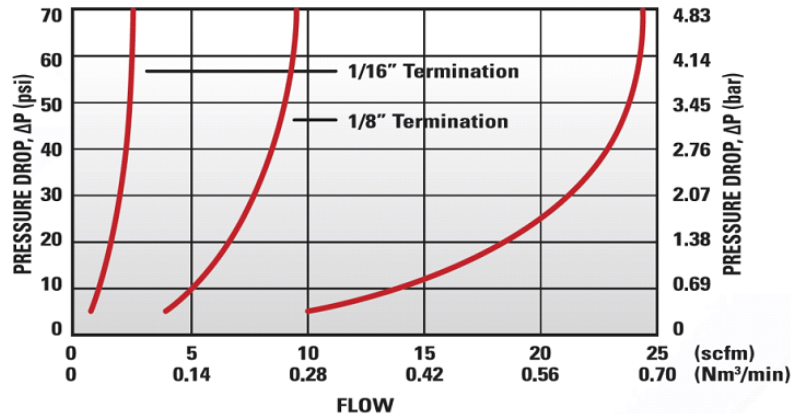
2

1

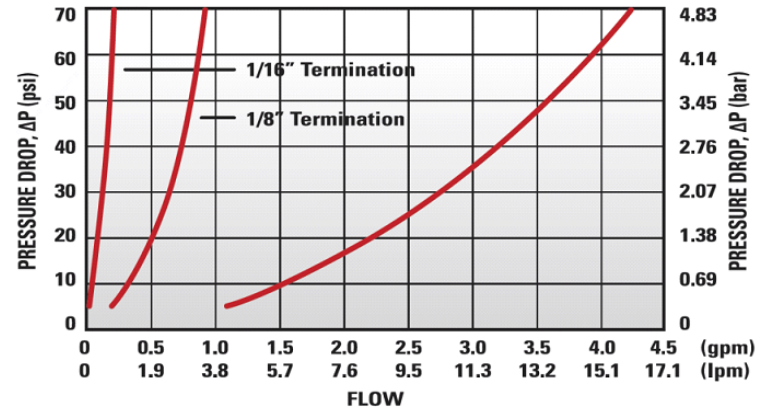
Specifications

| | |
|-------------------------------|-------------------------------------------------------------------------------------------------------------------------------------------------------------------------------------------------------------------------------------------------------------------------------------------------------------------------------------------------------------------------------------------------------------------------------------------------|
| Body and Termination Material | Food Grade Chrome Plated Brass |
| Seal Material Option | FDA & NSF Compliant Buna-N O-ring Seal |
| Operating Pressure Range | Vacuum to 250 psi (17.3 bar) |
| Operating Temperature Range | -40° F to 180° F (-40° C to 82° C) |
| Flow Capacity | 1/8" Size |
| Barb Size | 1/4", 6.4mm |
| Compatibility Statement | <p>It is the sole responsibility of the system designer and user to select products suitable for their specific application requirements and to ensure proper installation, operation, and maintenance of these products.</p> <p>Material compatibility, product ratings and application details should be considered in the selection. Improper selection or use of products described herein can cause personal injury or product damage.</p> |

20PP Series Air Flow



20PP Series Water Flow



Specific coupling combination flow rates can be determined by using this formula:

$$Q = C_v \times \text{SQRT}(\Delta P / S)$$

SQRT = Square root
 Q = Flow rate in gallons per minute
 C_v = Average flow rate (see chart)
 ΔP = Pressure drop across coupling (psi)
 S = Specific gravity of liquid

C_v Values for the 20CB-PB4-04

Non-Valved Elbow Hose Barb Plug Coupling

| Sockets: | 20CBV-SB2-04 | 20CB-S2-04 | 20CBV-SB3-02 | 20CB-S3-02 | 20CBV-SB3-04 | 20CB-S3-04 |
|-------------|--------------|------------|--------------|------------|--------------|------------|
| 20CB-PB4-04 | 0.27 | 0.45 | 0.19 | 0.27 | 0.25 | 0.45 |

| Sockets: | 20CBV-SB8-04 | 20CB-S8-04 | 20CBV-SB1-02 | 20CB-S1-02 | 20CBV-SB1-04 | 20CB-S1-04 |
|-------------|--------------|------------|--------------|------------|--------------|------------|
| 20CB-PB4-04 | 0.22 | 0.40 | 0.26 | 0.50 | 0.29 | 0.50 |

20CB-PB4-04

SHEET 3 OF 3