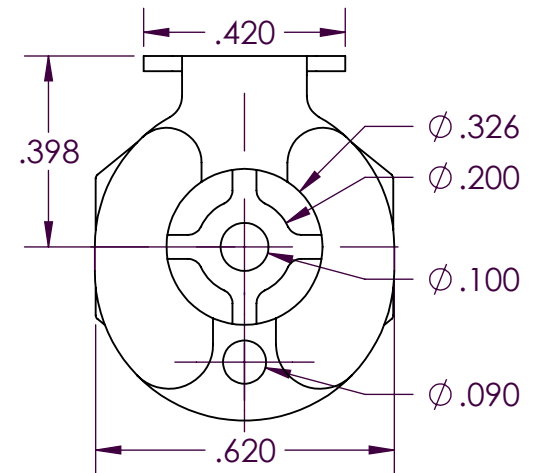
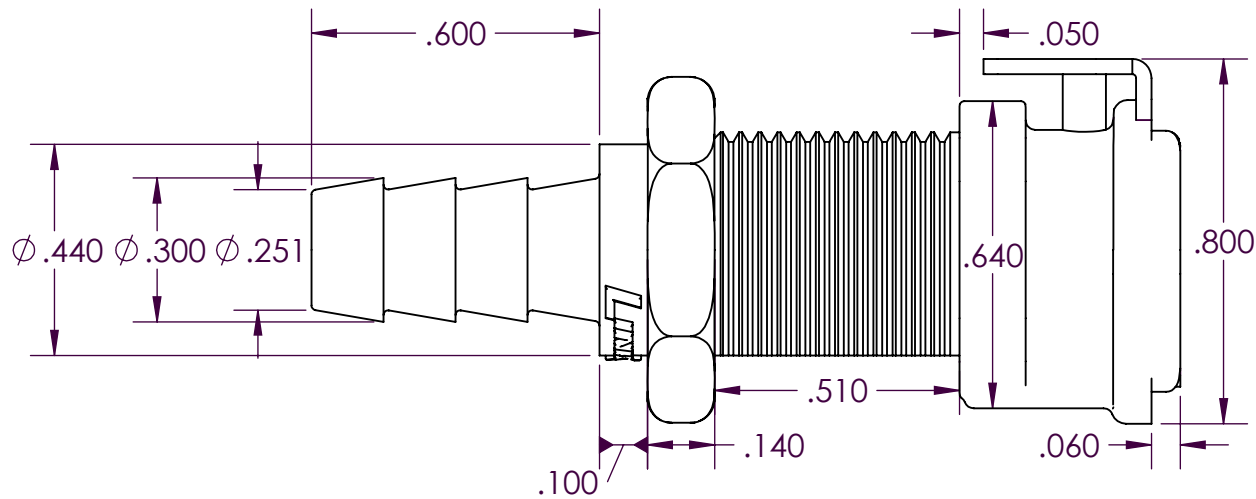


SCALE 1.5 : 1



PROPRIETARY AND CONFIDENTIAL

Description

THE INFORMATION CONTAINED IN THIS DRAWING IS THE SOLE PROPERTY OF INDUSTRIAL SPECIALTIES MFG. AND IS MED SPECIALITES. ANY REPRODUCTION IN PART OR AS A WHOLE WITHOUT THE WRITTEN PERMISSION OF INDUSTRIAL SPECIALTIES MFG. AND IS MED SPECIALITES IS PROHIBITED.

1/4" Hose Barb, Valved,  
Panel Mount Hose Barb Thumb-Latch Type  
Socket Coupling, 1/8" Flow,  
Natural Acetal Body and Terminations,  
Stainless Steel Thumb-Latch, Springs and Pins,  
1/2"-24UNS Nickel Plated Brass Panel Nut

NAME DATE  
DRAWN BY: SCW 27-Oct-14

PART#  
20ACV-SB3-04

REV  
1

SHEET 1 OF 3

SCALE 2.5:1

DO NOT SCALE DRAWING



**Industrial Specialties Mfg.**  
**IS Med Specialties**

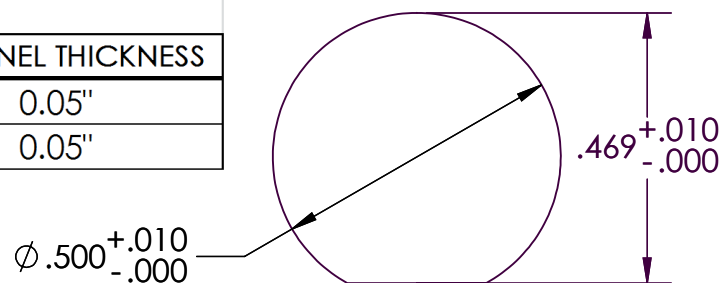
# Specifications

Body and Termination Material	Natural Acetal (POM) - FDA and NSF Compliant for Food Contact
Seal Material Option	Buna-N O-ring - FDA and NSF Compliant for Food Contact O-rings lubricated with Dow Corning 200 food grade silicone oil.
Internal Valve Material	Natural Acetal (POM) - FDA and NSF Compliant for Food Contact
Internal Valve Spring Material	316 Stainless Steel
Thumb-latch Material	301 Stainless Steel
Thumb-latch Spring Material	304 Stainless Steel
Pin Material	316 Stainless Steel
Pin Spring Material	302 Stainless Steel
Panel Mount Nut	1/2"-24UNS Electrodeposited Nickel Plated Brass
Operating Pressure Range	Vacuum to 120 psi (8.3 bar)
Operating Temperature Range	-40° F to 180° F (-40° C to 82° C)
Flow Capacity	1/8" Size
Compatibility Statement	It is the sole responsibility of the system designer and user to select products suitable for their specific application requirements and to ensure proper installation, operation, and maintenance of these products. Material compatibility, product ratings and application details should be considered in the selection. Improper selection or use of products described herein can cause personal injury or product damage.

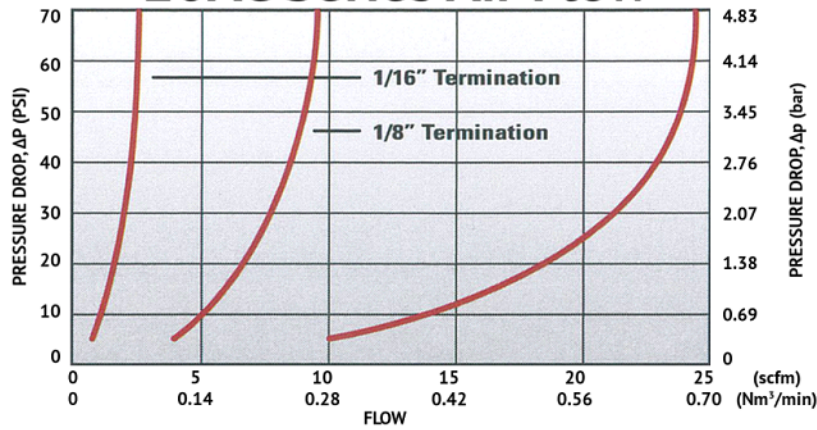
Panel Mount Dimensions			
	PANEL OPENING	MAX PANEL THICKNESS	MIN PANEL THICKNESS
SOCKETS	Per Drawing	0.5"	0.05"
PLUGS	0.5"	0.3"	0.05"

PANEL NUT HEX SIZE	PANEL NUT THREAD
5/8"	1/2" - 24UNS

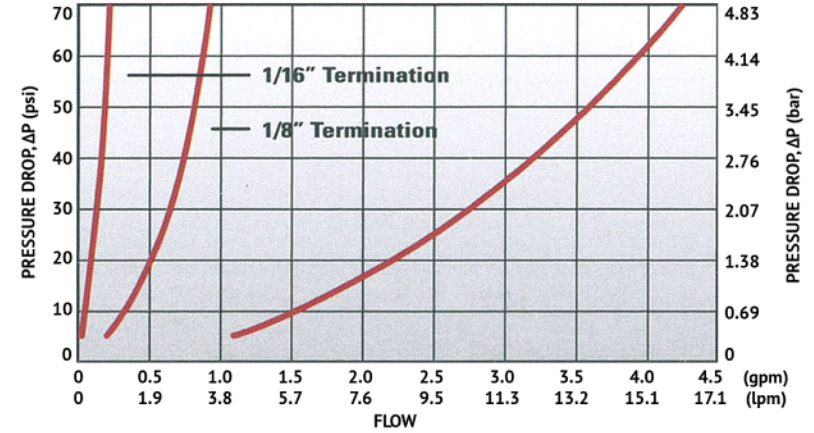
Greenlee® punch #60077



## 20AC Series Air Flow



## 20AC Series Water Flow



Specific coupling combination flow rates can be determined by using this formula:

$$Q = C_v \times \text{SQRT}(\Delta P / S)$$

SQRT = Square root

Q = Flow rate in gallons per minute

$C_v$  = Average flow rate (see chart)

$\Delta P$  = Pressure drop across coupling (psi)

S = Specific gravity of liquid

### $C_v$ Values for the 20ACV-SB3-04 Valved Panel Mount Hose Barb Socket Coupling

Plugs:	20ACV-PB2-01	20AC-PB2-01	20ACV-PB2-02	20AC-PB2-02	20ACV-PB2-03	20AC-PB2-03	20ACV-PB2-04	20AC-PB2-04
20ACV-SB3-04	0.03	0.03	0.16	0.22	0.16	0.22	0.21	0.26

Plugs:	20ACV-PB9-04	20AC-PB9-04	20ACV-PB1-02	20AC-PB1-02	20ACV-PB1-04	20AC-PB1-04	20ACV-PB4-04	20AC-PB4-04
20ACV-SB3-04	0.17	0.23	0.19	0.26	0.21	0.26	0.16	0.25