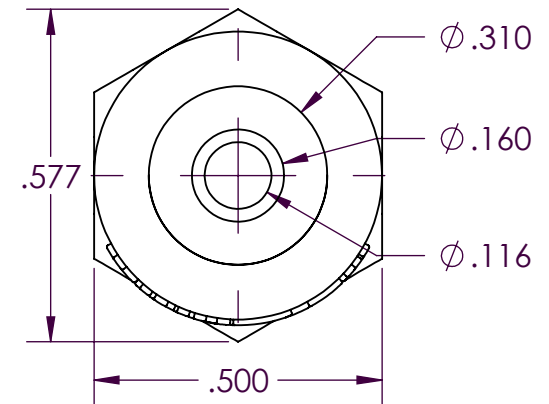
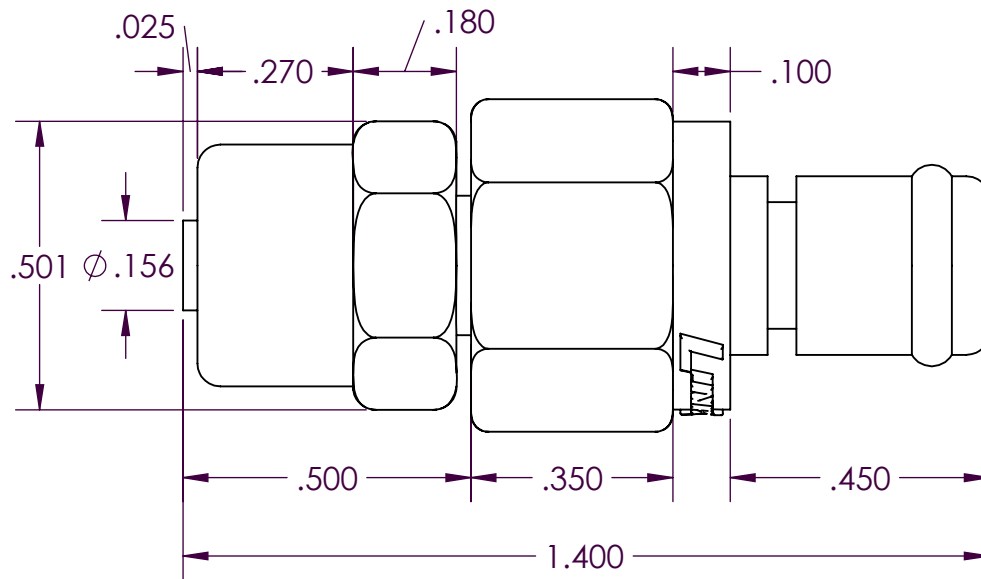


SCALE 2 : 1



PROPRIETARY AND CONFIDENTIAL

Description

THE INFORMATION CONTAINED IN THIS DRAWING IS THE SOLE PROPERTY OF INDUSTRIAL SPECIALTIES MFG. AND IS MED SPECIALITES. ANY REPRODUCTION IN PART OR AS A WHOLE WITHOUT THE WRITTEN PERMISSION OF INDUSTRIAL SPECIALTIES MFG. AND IS MED SPECIALITES IS PROHIBITED.

1/4" OD Tube Size,
Non-Valved In-Line PTF Plug Coupling, 1/8" Flow,
Natural Acetal Body and Terminations,
Nickel Plated Brass PTF Nut,
Buna-N O-ring Seal

| | |
|------|-----------|
| NAME | DATE |
| SCW | 11-Nov-14 |

PART#

20AC-PB9-04

REV
1

SHEET 1 OF 3

SCALE 3:1

DO NOT SCALE DRAWING

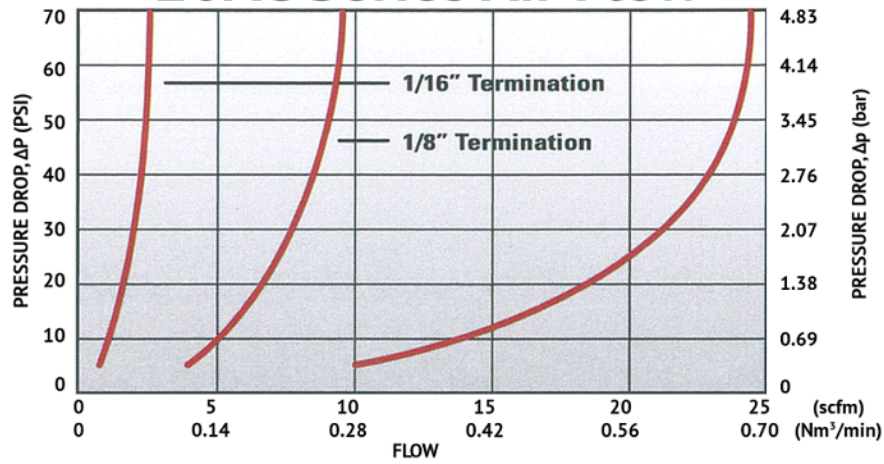


Industrial Specialties Mfg.
IS Med Specialties

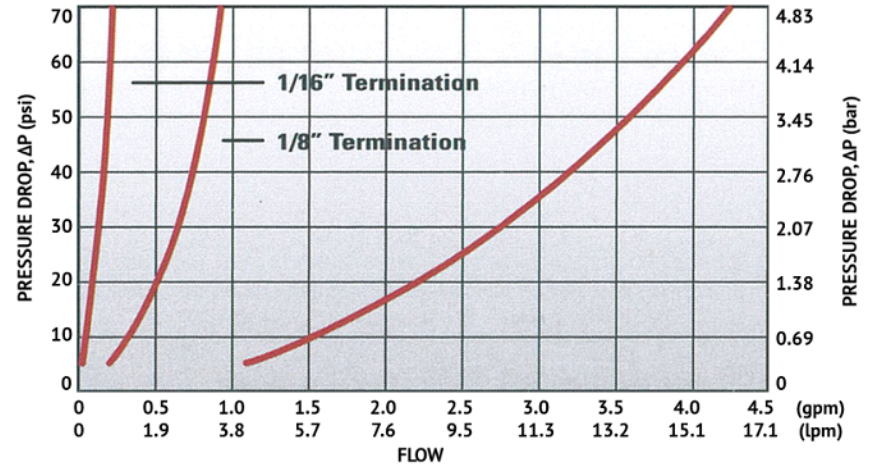
Specifications

| | |
|-------------------------------------|---|
| Body and Termination Material | Natural Acetal (POM) - FDA and NSF Compliant for Food Contact |
| Seal Material Option | Buna-N O-ring - FDA and NSF Compliant for Food Contact O-rings lubricated with Dow Corning 200 food grade silicone oil. |
| PTF (Ferrules Polytube Fitting) Nut | Electrodeposited Nickel Plated Brass |
| Tube Size | 1/4" OD, .17" ID |
| Metric Tube Size | 6.4mm OD, 4.3mm ID |
| Operating Pressure Range | Vacuum to 120 psi (8.3 bar) |
| Operating Temperature Range | -40° F to 180° F (-40° C to 82° C) |
| Flow Capacity | 1/8" Size |
| Compatibility Statement | <p>It is the sole responsibility of the system designer and user to select products suitable for their specific application requirements and to ensure proper installation, operation, and maintenance of these products.</p> <p>Material compatibility, product ratings and application details should be considered in the selection. Improper selection or use of products described herein can cause personal injury or product damage.</p> |

20AC Series Air Flow



20AC Series Water Flow



C_v Values for the 20AC-PB9-04 Non-Valved In-Line PTF Plug Coupling

| 20AC-PB9-04 | Sockets: | | | | | | |
|-------------|--------------|------------|--------------|------------|--------------|------------|--------------|
| | 20ACV-SB2-01 | 20AC-S2-01 | 20ACV-SB2-04 | 20AC-S2-04 | 20ACV-SB3-02 | 20AC-S3-02 | 20ACV-SB3-04 |
| | 0.03 | 0.03 | 0.23 | 0.33 | 0.19 | 0.24 | 0.23 |

| 20AC-PB9-04 | Sockets: | | | | | | |
|-------------|------------|--------------|------------|--------------|------------|--------------|------------|
| | 20AC-S3-04 | 20ACV-SB8-04 | 20AC-S8-04 | 20ACV-SB1-02 | 20AC-S1-02 | 20ACV-SB1-04 | 20AC-S1-04 |
| | 0.34 | 0.21 | 0.40 | 0.27 | 0.40 | 0.30 | 0.40 |