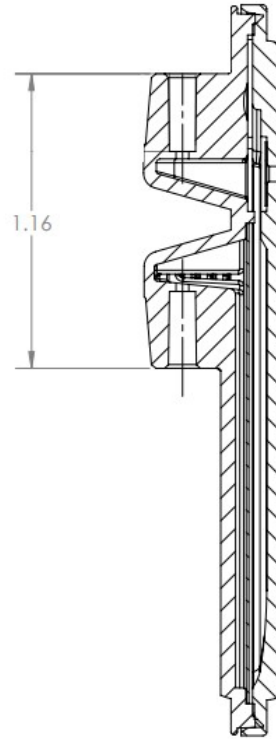
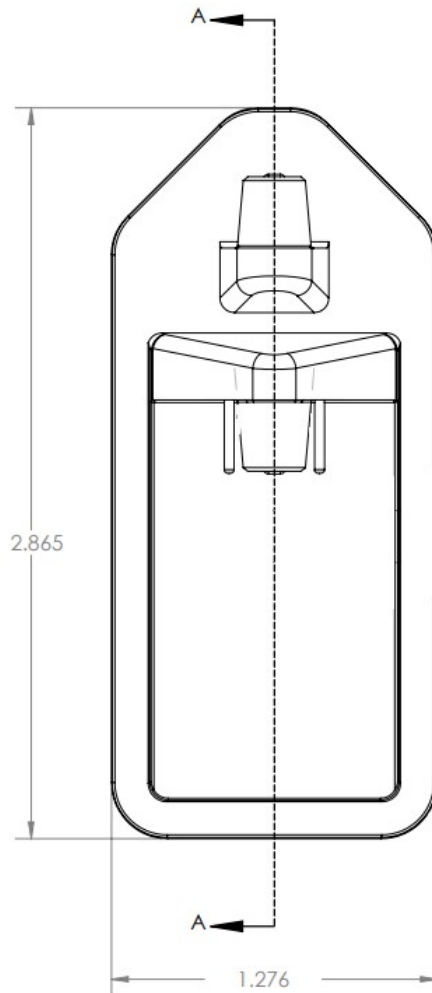
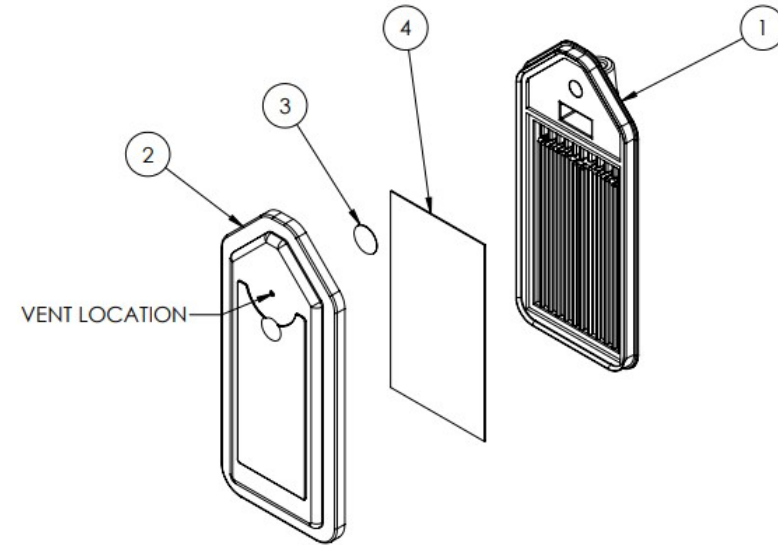


1	2	3	4	5	6
PART NUMBER	Grid Component (1)	Vent Component (2)	VENT MEDIA P/N (3)	GRID MEDIA (4)	GRID MEDIA P/N (4)
0086320-00-230	0086320-02-000	0073670-01-000	1711335-0050	0.2 MICRON	5500210-010
0086320-00-860	0086320-02-000	0073670-01-500	1711335-0050	1.2 MICRON	2800120-011



SECTION A-A
SCALE 2 : 1



TWMedical

UNLESS OTHERWISE SPECIFIED:

TOLERANCES

(IF IN mm)
ANGULAR ±0.50°
X.XXX ±0.050
X.XX ±0.10
X.X ±0.2
X ±0.4

(IF IN In)
ANGULAR: MACH ±2
X.XX ±0.010
X.XXX ±0.005

THIRD ANGLE PROJECTION



NAME DATE

DRAWN

CHECKED

ENG APPR.

O.A APPR.

MATERIAL: SEE BOM

TWMedical

CUSTOMER:

TITLE: **MEDI-PURE IV FILTER
LARGE PORT**

DRAWING NO:
0086320-00

REV:
B

THIS DRAWING CONTAINS INFORMATION THAT IS PROPRIETARY & CONFIDENTIAL TO ITW MEDICAL AND SHOULD NOT BE USED WITHOUT WRITTEN PERMISSION

MEDIA:
SEE CHART

SHEET:
1 OF 1

SCALE:
1:1 B