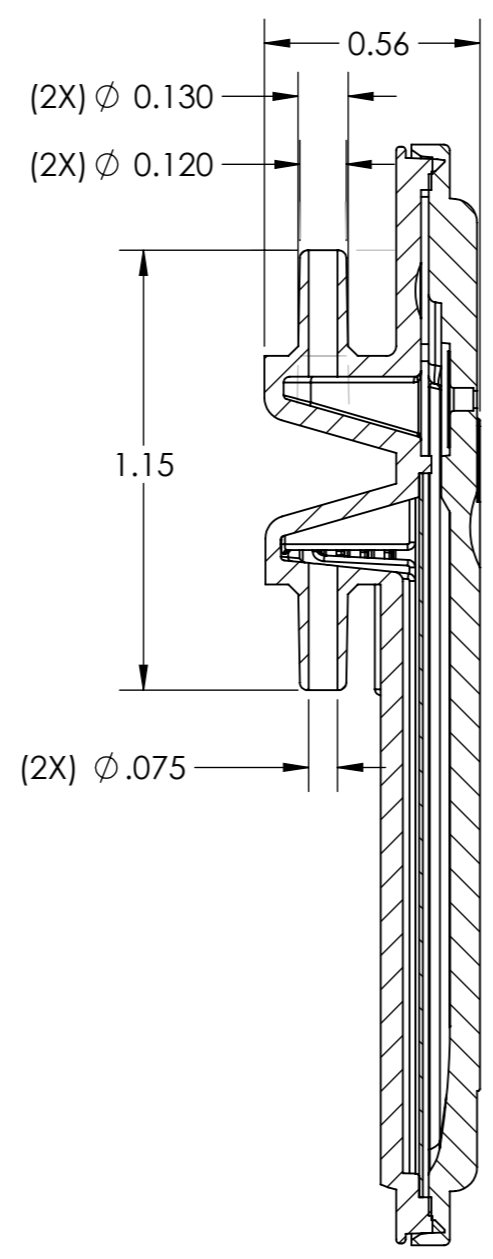
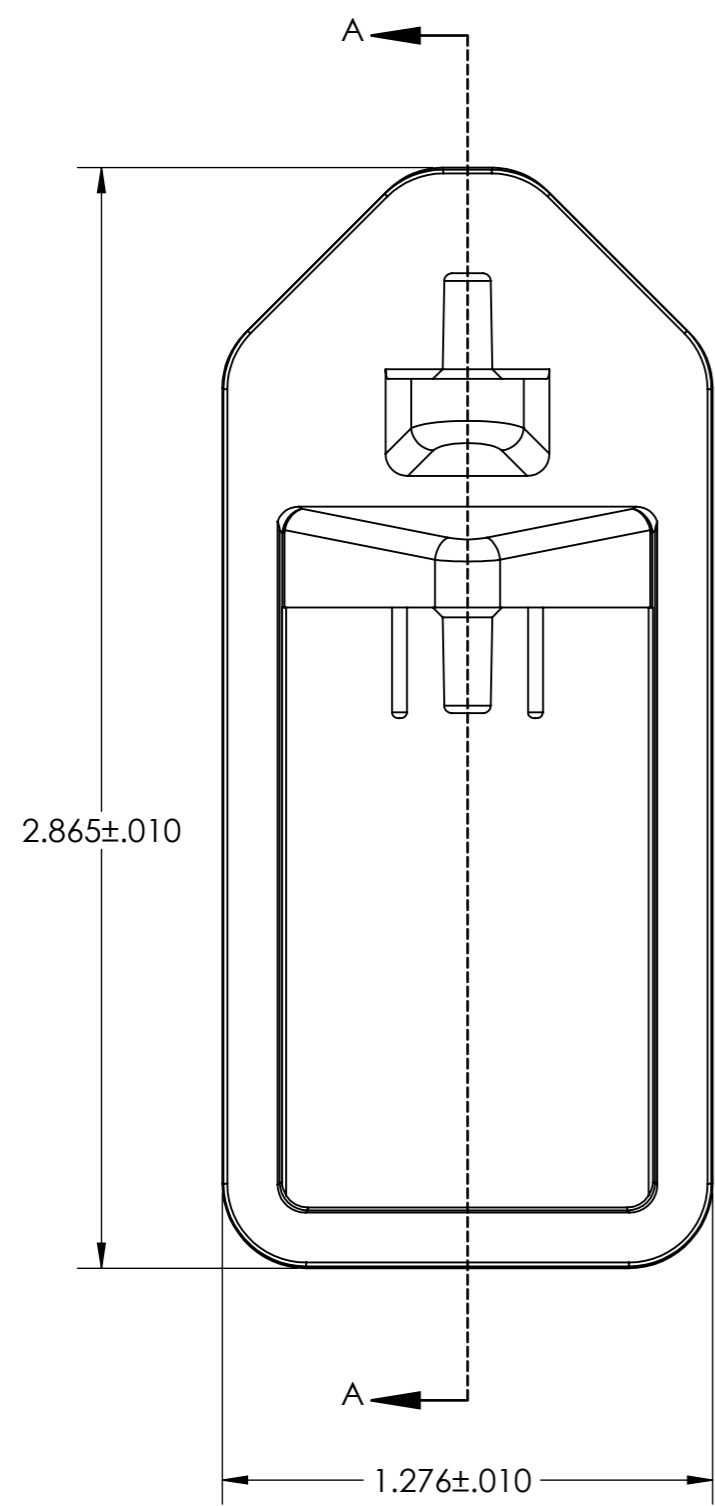
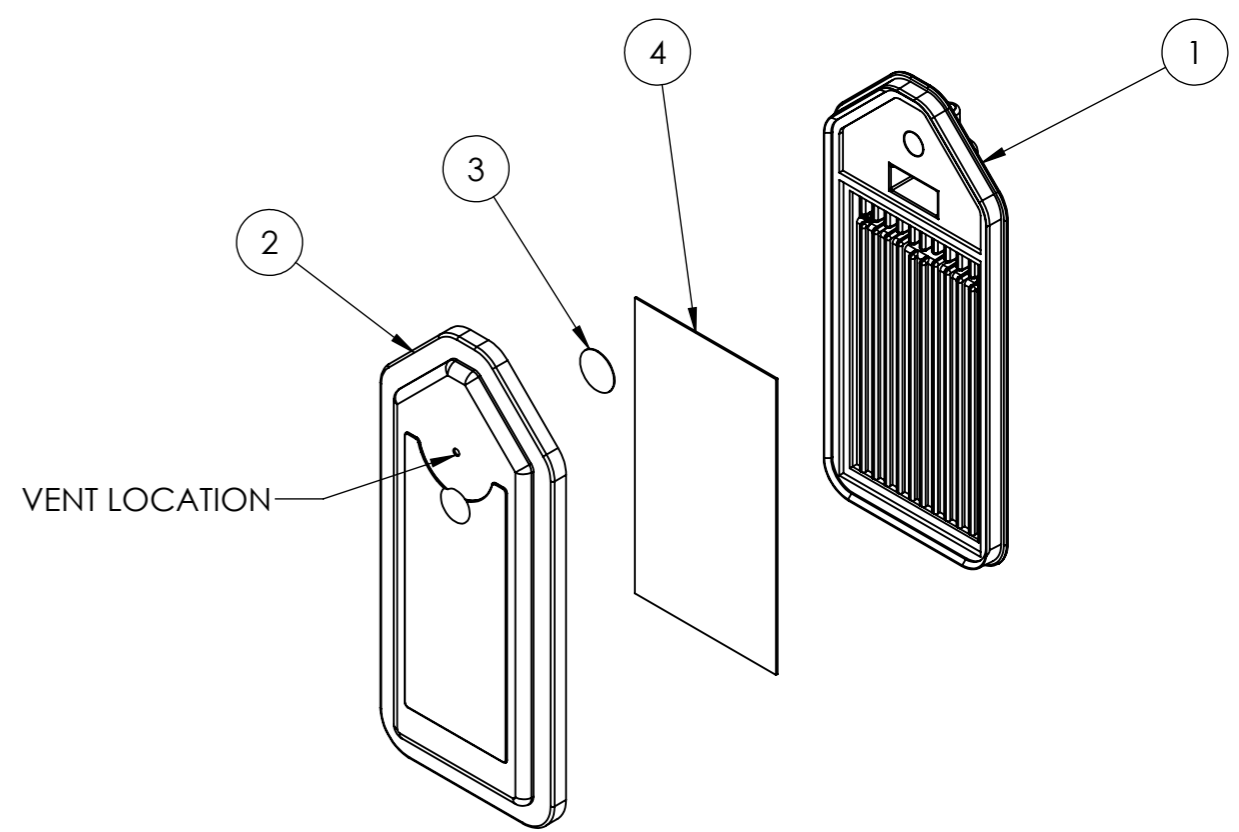


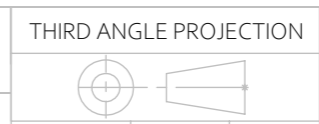
1	2	3	4	5	6
PART NUMBER	GRID COMPONENT ①	VENT COMPONENT ②	VENT MEDIA P/N ③	GRID MEDIA ④	GRID MEDIA P/N ④
0086300-00-230	0086300-02-000	0073670-01-000	1711335-0050	0.2 MICRON	5500210-010
0086300-00-860	0086300-02-000	0073670-01-500	1711335-0050	1.2 MICRON	2800120-011



SECTION A-A
SCALE 2 : 1



UNLESS OTHERWISE SPECIFIED:



TOLERANCES

(IF IN mm)	
ANGULAR	±0.50°
X.XXX	±0.050
X.XX	±0.10
X.X	±0.2
X	±0.4
(IF IN In)	
ANGULAR:	MACH ±2
X.XX	±0.010
X.XXX	±0.005

	NAME	DATE
DRAWN	VT	2/10/23
CHECKED	MB	2/13/23
ENG APPR.		
Q.A APPR.		



CUSTOMER:
NA

TITLE: **MEDI-PURE IV FILTER
SMALL PORT**

PART. NO: **0086300-00-000** REV: **A**

THIS DRAWING CONTAINS INFORMATION THAT IS PROPRIETARY & CONFIDENTIAL TO ITW MEDICAL AND SHOULD NOT BE USED WITHOUT WRITTEN PERMISSION

MATERIAL: SEE BOM

MEDIA: SEE CHART SHEET: 1 OF 1 SCALE: 1:1 B

2/10/2023	M7478	A	RELEASED FOR PRODUCTION	VT	MB
DATE	ECN#	DET	DESCRIPTION	BY	APP