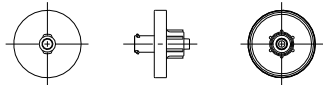
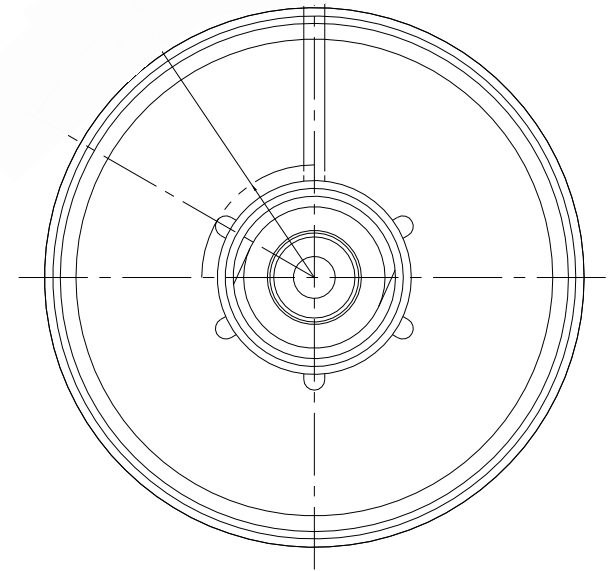
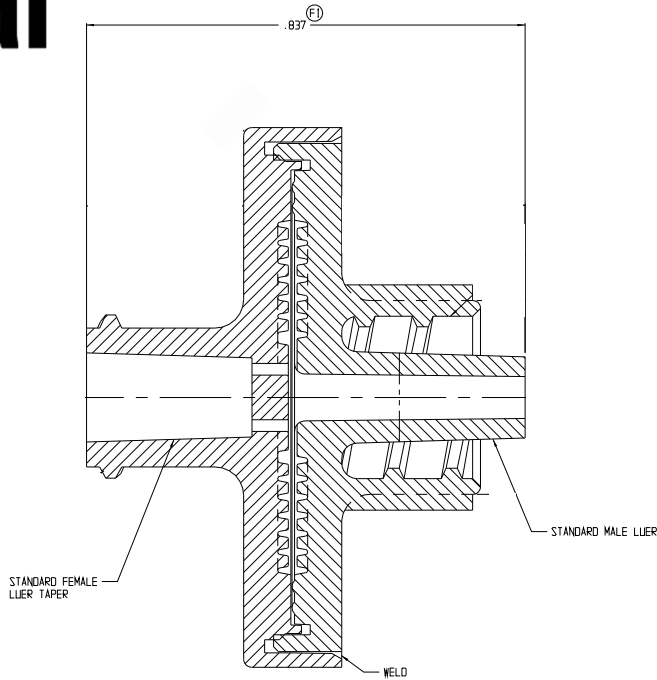
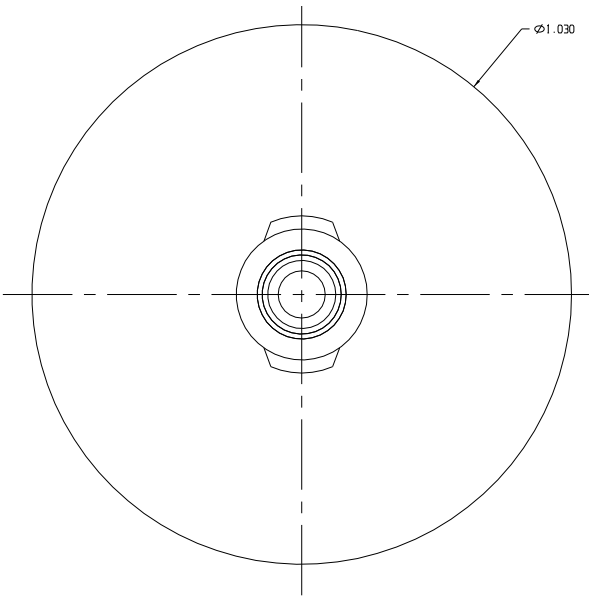


# TW Medical



ACTUAL SIZE

<p>WARRANTY: While Filtertek Inc. makes every reasonable effort to ensure the accuracy and efficiency of its design and manufacturing processes, the Customer bears the final responsibility for determining the suitability, safety, effectiveness, marketability and overall fitness of the product for any intended purpose.</p>			
UNITS ARE IN: INCHES		File Server No. 0061310.PRT	
<p>This print and all information thereon is confidential and remains the property of Filtertek. Copyright © 1990 Filtertek</p>			
<b>TW Medical</b>		11411 PRICE ROAD, HEBRON, ILLINOIS 60034	
FRAME SPEC.	PMA CYRD 0-20 WFLD NATURAL	PART NAME	17 MM TP EURO STYLE
SCREEN SPEC.	2 GORE/PEY R1000B	SHT No.	1-of-1
		DATE	7-20-90
		DRWN	Allen
		SCALE	8:1
		CHECK	
CUST. PART NO.	REV	TOLERANCE ON DIMENSION UNLESS OTHERWISE SPECIFIED:	PART NUMBER
--	--	ENGLISH: TWO PLACE DIM ±.02 THREE PLACE DIM: ±.010	61310
CUST. NAME	DATE	METRIC: ONE PLACE DIM ±0.5 TWO PLACE DIM: ±0.25	
F. I.	---	ANGULAR: ±1°	