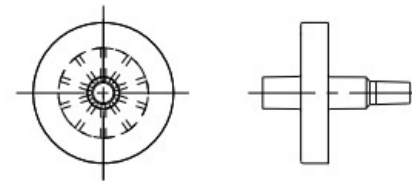
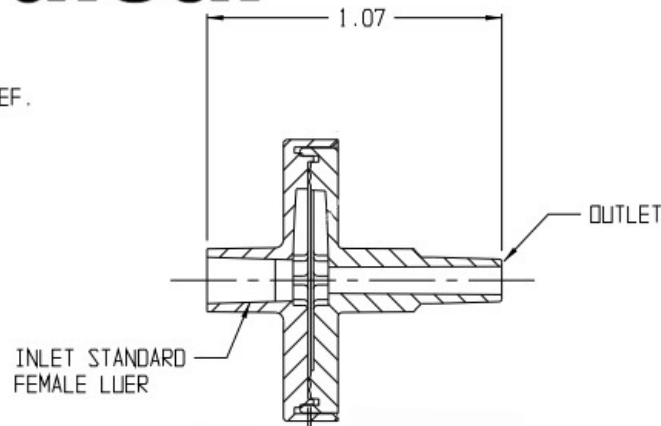
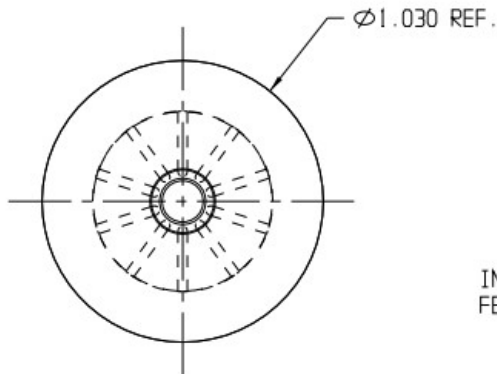


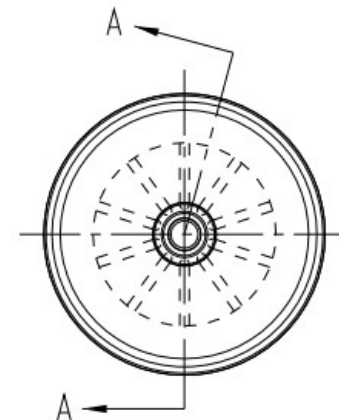
TW Medical



ACTUAL SIZE



SECTION A-A



(E) (F1) (G1) (G2)

(D) 100% VISUAL INSPECTION BY OPERATOR

WARRANTY: While Filtertek Inc. makes every reasonable effort to ensure the accuracy and efficiency of its design and manufacturing processes, the Customer bears the final responsibility for determining the suitability, safety, effectiveness, marketability and over-all fitness of the product for any intended purpose.

UNITS ARE IN: INCHES File Server No. 0060110.PRT

This print and all information thereon is confidential and remains the property of Filtertek. Copyright © 1989 Filtertek Inc.



11411 PRICE ROAD, HEBRON ILLINOIS 60034

FRAME SPEC.	PMMA CYRO G-20 HIFLO NATURAL	PART NAME	17MM SLIP LUER ASSEMBLY	
SCREEN SPEC.	GORTEX PTFE 0.2 MICRON DN POLYESTER BACKING-L10389	SHT No.	1 of 1	DATE 11-1-89
		XP No.	----	SCALE 2:1
CUST. PART NO.	REV. --	DIMENSIONING IN ACCORDANCE WITH ANSI Y14.5M-1994		
		TOLERANCE ON DIMENSION UNLESS OTHERWISE SPECIFIED:		
CUST. NAME	DATE ---	ENGLISH: TWO PLACE DIM ±.01 THREE PLACE DIM: ±.005		
		METRIC: ONE PLACE DIM ±0.3 TWO PLACE DIM: ±0.13		
		ANGULAR: ±1°		
		PART NUMBER		
		60110		