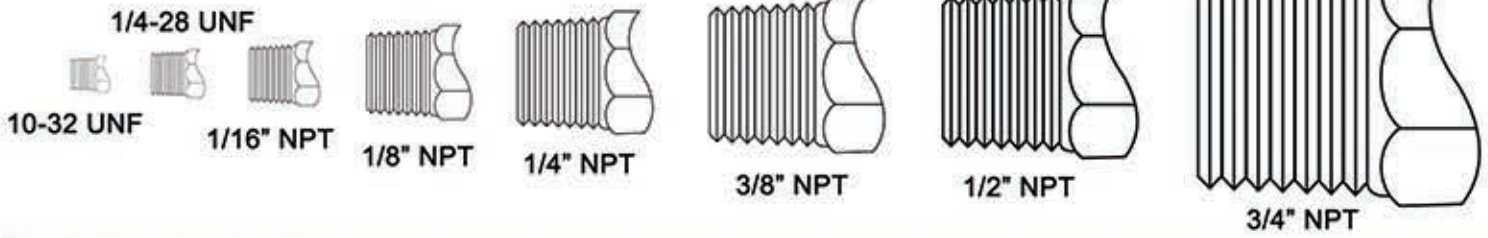
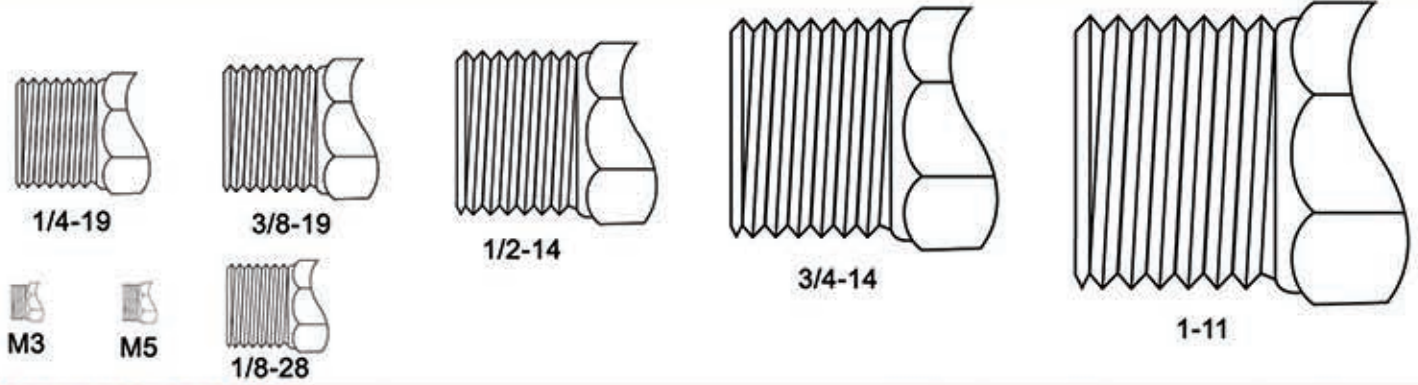


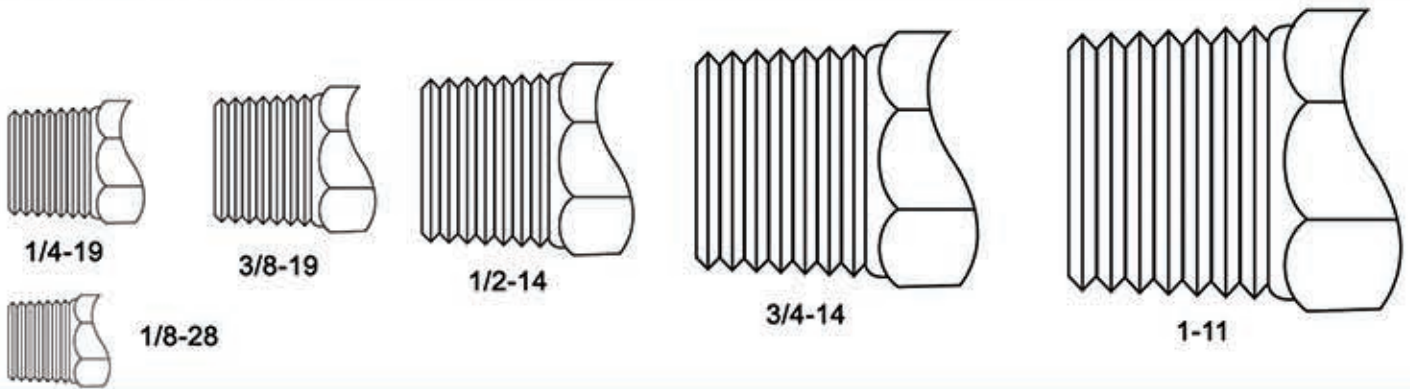
Standard Threads



British Parallel Threads



British Taper Threads



Metric Parallel Threads

